

Datamate J-Tek Connectors

Female Metal Backshell

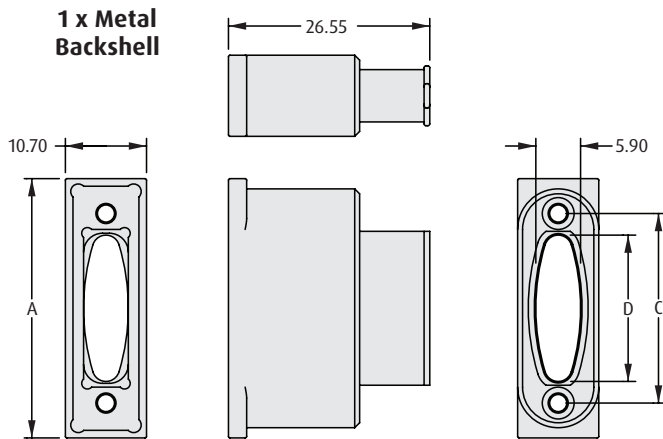
- ❖ Supplied as an accessory kit, including metal backshell, e-clips and the applicable jackscrews.
- ❖ To be used with the appropriate size of Female Crimp Kit without jackscrews.
- ❖ Gives 360 degree shielding when used with conductive braid and mated to a compatible male connector with metal backshell.
- ❖ Instruction sheets available at www.harwin.com/instructions.



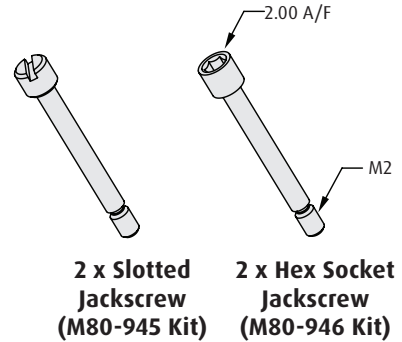
FEMALE

CALCULATION

| | |
|----------|--------------------------------|
| A | B + 16.2 |
| B | Equivalent no. of contacts - 2 |
| C | B + 7 |
| D | B + 0.8 |



4 x E-Clip
(2 spare)



2 x Slotted
Jackscrew
(M80-945 Kit)

2 x Hex Socket
Jackscrew
(M80-946 Kit)

E-CLIP TOOL



- ❖ For assembling E-Clips supplied with kit.

ORDER CODE

Z80-300

BAND-IT TIE



- ❖ For fixing braid to rear collar (requires Tie Dex II A30199 Micro Band tool).

ORDER CODE

| | |
|--------------------|------------------|
| M80-9470000 | Length = 206.8mm |
| M80-9480000 | Length = 362.0mm |

HOW TO ORDER

M80 - 94 X XX 02

SERIES CODE

TYPE

| | |
|----------|----------------------------|
| 5 | With Slotted Jackscrews |
| 6 | With Hex Socket Jackscrews |

FINISH

02 Nickel

EQUIVALENT NO. OF SIGNAL CONTACTS

08 to 28, 32 to 50 (Even numbers only)

All dimensions in mm.