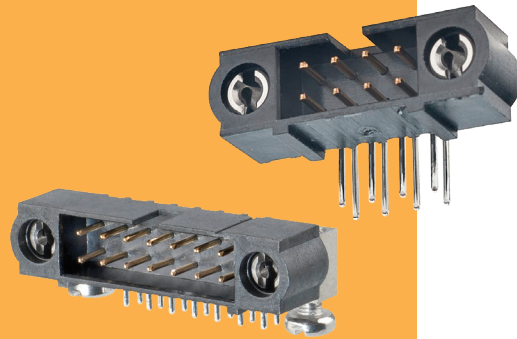


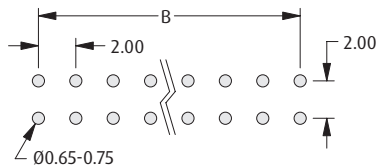
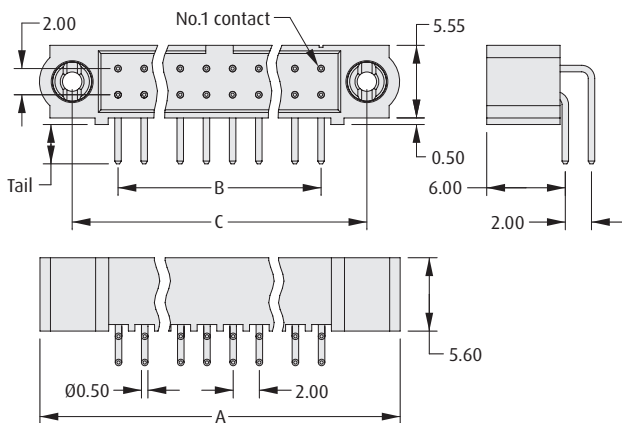
# Datamate J-Tek Connectors

## Male Horizontal Throughboard 101Lok

- ❖ 101Lok fixing gives secure, fast and simple mating; no special tooling required. Just a simple 101-degree turn is required to fix the connectors together.
- ❖ Connectors mate with Datamate J-Tek female connectors with applicable 101Lok fixings.
- ❖ Board Mount provides PCB strain relief.
- ❖ Choice of throughboard termination length.



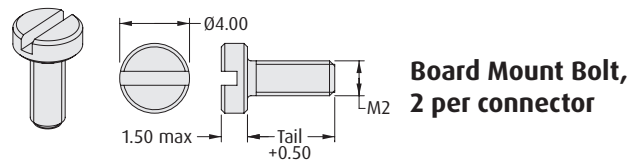
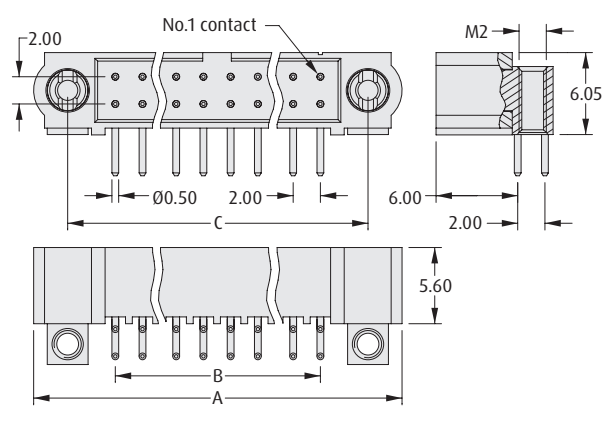
### 101LOK



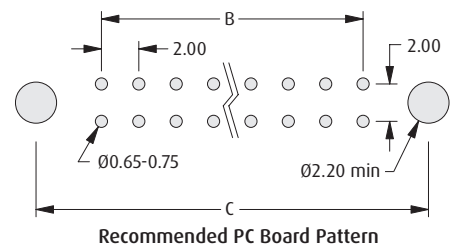
Recommended PC Board Pattern

CALCULATION	
<b>A</b>	$B + 12$
<b>B</b>	Total no. of contacts - 2
<b>C</b>	$B + 7$

### 101LOK WITH BOARD MOUNT



Board Mount Bolt, 2 per connector



Recommended PC Board Pattern

## HOW TO ORDER

**M80 - 5 LX XX XX MX**

#### SERIES CODE

#### TYPE

<b>L1</b>	3mm Tails
<b>L2</b>	4.5mm Tails

#### TOTAL NO. OF CONTACTS

**04, 06, 08, 10, 12, 14, 20, 26, 34, 42, 50**

#### JACKSCREW

<b>MC</b>	101Lok
<b>MD</b>	101Lok with Board Mount

#### FINISH

<b>05</b>	Gold
<b>42</b>	Gold + Tin

All dimensions in mm.