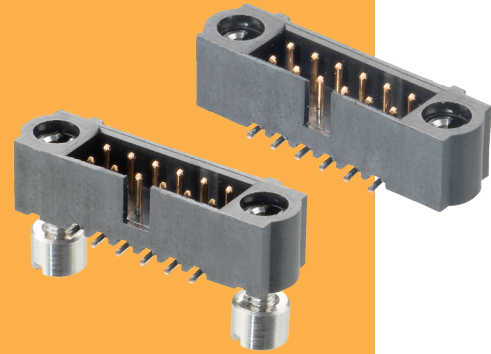


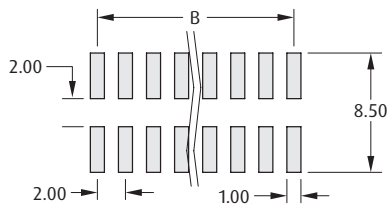
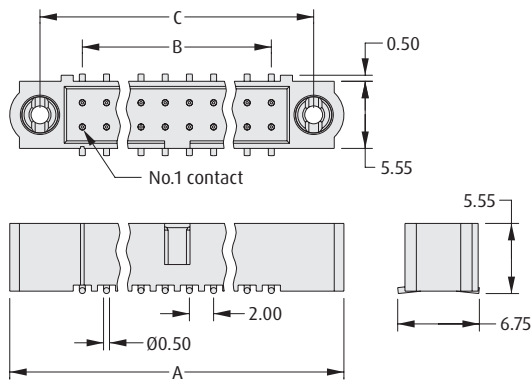
# Datamate J-Tek Connectors

## Male Vertical Surface Mount 101Lok

- ❖ 101Lok fixing gives secure, fast and simple mating; no special tooling required. Just a simple 101-degree turn is required to fix the connectors together.
- ❖ Connectors mate with Datamate J-Tek female connectors with applicable 101Lok fixings.
- ❖ Board Mount provides PCB strain relief.
- ❖ Gull wing SMT tails simplify inspection process.



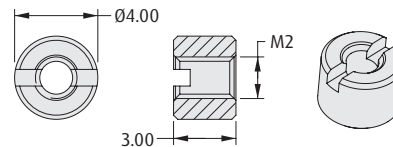
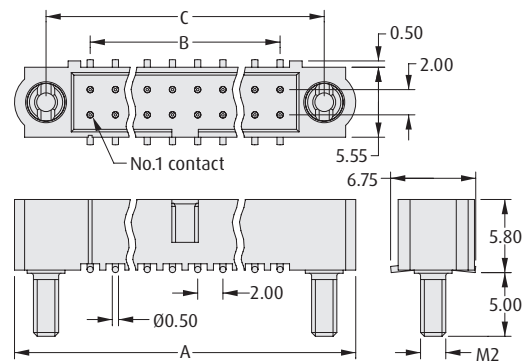
### 101LOK



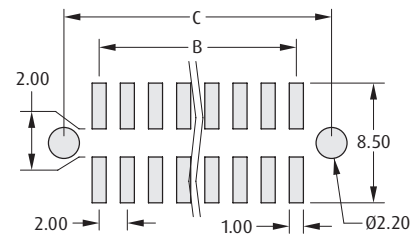
Recommended PC Board Pattern

CALCULATION	
<b>A</b>	$B + 12$
<b>B</b>	Total no. of contacts - 2
<b>C</b>	$B + 7$

### 101LOK WITH BOARD MOUNT



Board Mount Nut,  
2 per connector



Recommended PC Board Pattern

### HOW TO ORDER

**M80 - 5S1 XX XX MX**

**SERIES CODE**

**TOTAL NO. OF CONTACTS**

**04, 06, 08, 10, 12, 14, 20, 26, 34, 42, 50**

**JACKSCREW**

<b>MC</b>	101Lok
<b>ME</b>	101Lok with 5mm Board Mount

**FINISH**

<b>05</b>	Gold
<b>42</b>	Gold + Tin

All dimensions in mm.