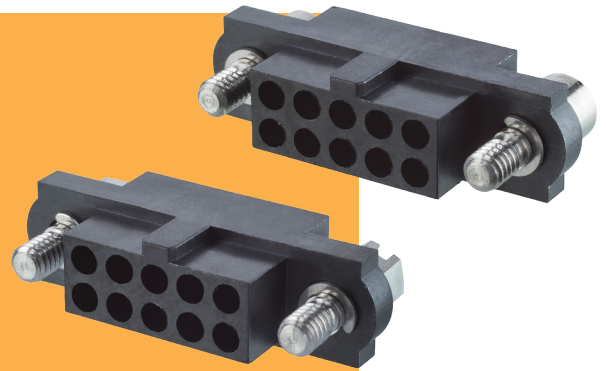


# Datamate J-Tek Connectors

## Female Crimp Housing

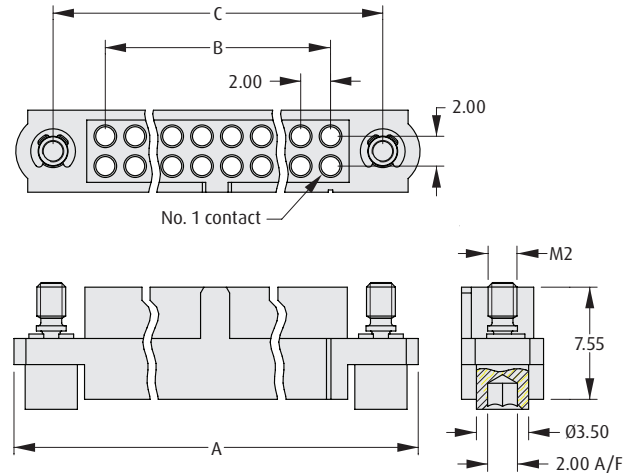
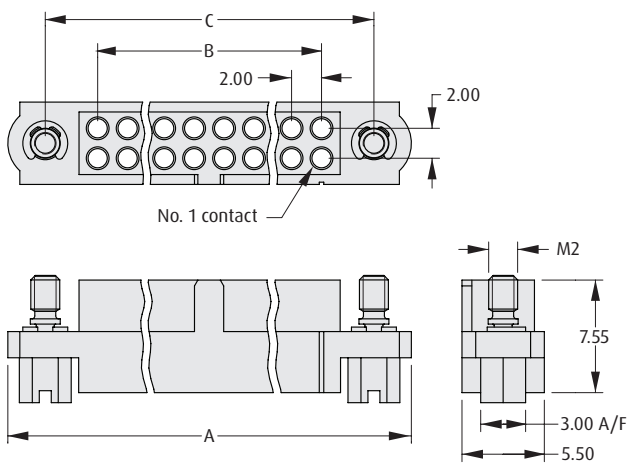
- ❖ Compatible with all female signal barrel crimp contacts, including T-Contact shown on previous page.
- ❖ Use insertion tool to insert crimped contacts into rear of connector housing: **order code Z80-Z80**.
- ❖ Connectors mate with Datamate J-Tek male connectors with applicable jackscrews.
- ❖ Jackscrews are supplied already assembled to housing.



DATAMATE J-TEK

### HEX SLOTTED JACKSCREWS

### HEX SOCKET JACKSCREWS



#### CALCULATION

<b>A</b>	$B + 12$
<b>B</b>	Total no. of contacts - 2
<b>C</b>	$B + 7$

### HOW TO ORDER

**M80 - 41 X XX 98**

**SERIES CODE**

**JACKSCREW TYPE**

<b>3</b>	Hex Slotted Jackscrews
<b>4</b>	Hex Socket Jackscrews

**TOTAL NO. OF CONTACTS**

**04 to 50**

All dimensions in mm.