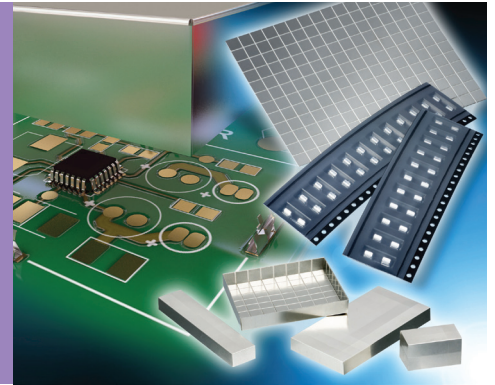


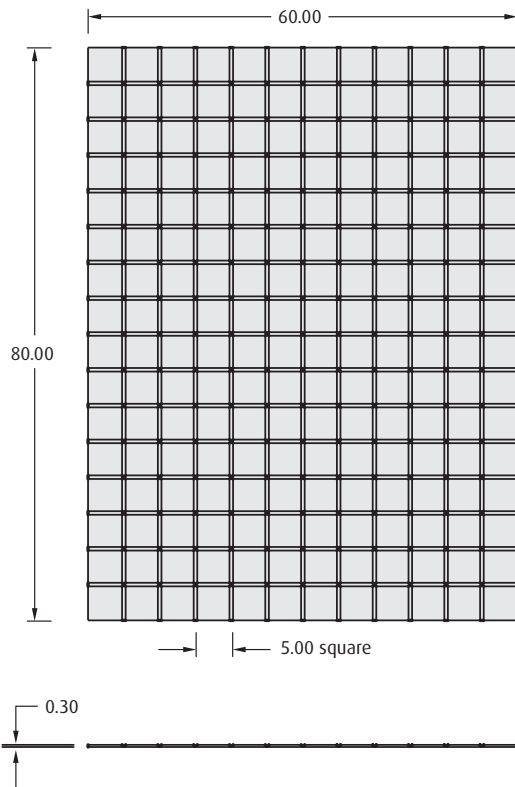
RFI Shield Can Kit

SMT Clips and Make-Your-Own Cans

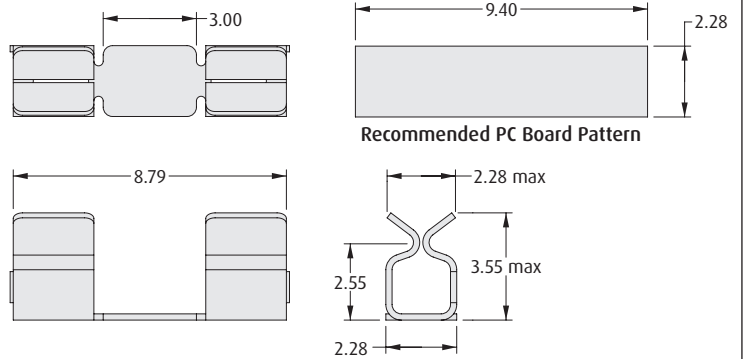
- ❖ Make your own Shield Cans in minutes, ideal for fast prototyping.
- ❖ Kit contains DIY Shield Can blanks, Shield retention clips and full instructions.
- ❖ Nickel Silver material for effective & useable shielding: up to 24dB attenuation achieved (frequency/configuration dependent).
- ❖ Shield Can is removable for adjustment.



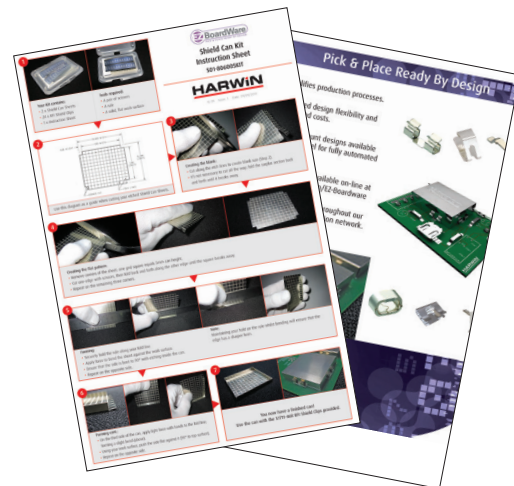
SHIELD CAN KIT



2 x Shield Can Sheets
5mm pitch score lines, for folding



24 x Shield Clip S1711-46R



Instruction Sheet
(available from www.harwin.com/instructions)

ORDER CODE

S01-806005KIT

All dimensions in mm.