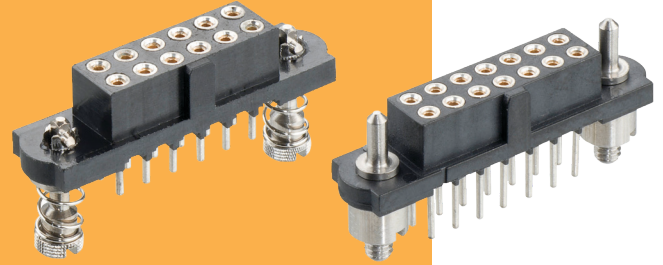


Datamate J-Tek Connectors

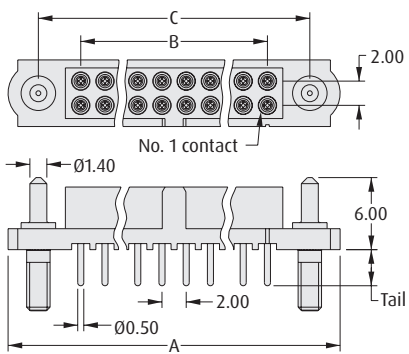
Female Vertical Throughboard, Guide Pin, 101Lok

- Guide pin style includes board mount fixing, and mates with Datamate J-Tek male connectors with compatible jackscrews.
- 101Lok fixing gives secure, fast and simple mating; no special tooling required. Just a simple 101-degree turn is required to fix the connectors together.
- 101Lok style mates with Datamate J-Tek male connectors with compatible 101Lok fixings.

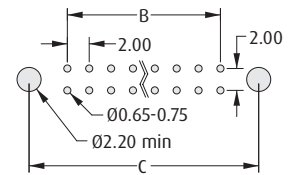
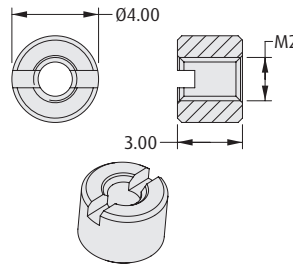


DATAMATE J-TEK

GUIDE PIN JACKSCREWS



Board Mount Nut, 2 per connector

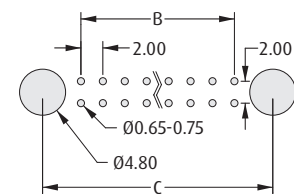
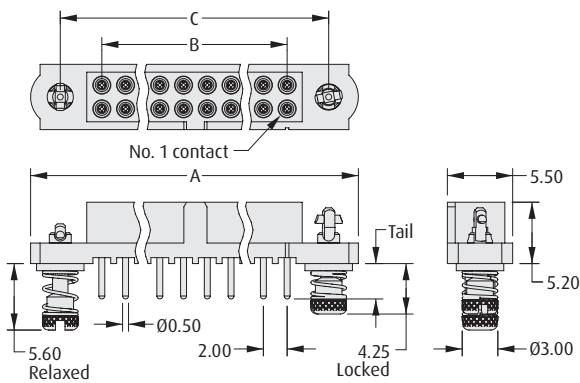


Recommended PC Board Pattern

CALCULATION

| | |
|----------|---------------------------|
| A | B + 12 |
| B | Total no. of contacts - 2 |
| C | B + 7 |

101LOK



Recommended PC Board Pattern

HOW TO ORDER

M80 - 4 TX XX XX FX

SERIES CODE

TYPE

| | |
|-----------|-------------|
| T1 | 3mm Tails |
| T2 | 4.5mm Tails |

TOTAL NO. OF CONTACTS

04, 06, 08, 10, 12, 14, 20, 26, 34, 42, 50

JACKSCREW

| | |
|-----------|-----------|
| F3 | Guide Pin |
| FD | 101Lok |

FINISH

| | |
|-----------|------------|
| 05 | Gold |
| 42 | Gold + Tin |

All dimensions in mm.