

Datamate J-Tek Specification

Materials

Mouldings:	Glass-filled thermoplastic UL94V-0
Female contacts	
Standard J-Tek:	Brass shell, with Beryllium Copper inner contact
T-Contact:	Beryllium Copper
Trio-Tek:	Beryllium Copper
Male contacts:	Copper alloy
Finish:	See individual pages

Electrical

Current - Standard J-Tek, Trio-Tek

Individual contacts in isolation:	3.3A max (at 25°C)
	2.6A max (at 85°C)
All contacts simultaneously:	3.0A max (at 25°C)
	2.2A max (at 85°C)

Current - T-Contact

Individual contacts in isolation:	8.5A max (at 25°C)
	6.5A max (at 85°C)
All contacts simultaneously:	3.5A max (at 25°C)
	2.6A max (at 85°C)

Working voltage

At sea level 1013 mbar:	800V DC or AC peak
-------------------------	--------------------

Voltage proof

At sea level 1013 mbar:	1,200V DC or AC peak
-------------------------	----------------------

Contact resistance

Initial:	20mΩ max
After conditioning:	25mΩ max

Insulation resistance

Initial:	1,000MΩ min
After conditioning:	100MΩ min

Mechanical

Durability

Standard J-Tek:	500 operations
T-Contact:	1,000 operations
Trio-Tek:	400 operations

Insertion force (max)

Standard J-Tek:	2.8N
T-Contact:	4.0N
Trio-Tek:	2.8N

Withdrawal force (min)

Standard J-Tek:	0.2N
T-Contact:	0.5N
Trio-Tek:	0.2N

Signal crimp accommodation:

22 AWG to 32 AWG
BS 3G 210 Type A, MIL-W-16878

Environmental

Environmental classification: 55/125/56 days at 95% RH

Operational temperature: -55°C to +125°C

*Vibration sensitivity

Standard J-Tek, Trio-Tek:	10Hz to 2000Hz, 0.75mm, 98m/s ² (10G), duration 6 hours
T-Contact:	10Hz to 2000Hz, 0.75mm, 390m/s ² (40G), duration 6 hours

*Bump severity:

390m/s² (40G), 4000 ±10 bumps

*Shock severity:

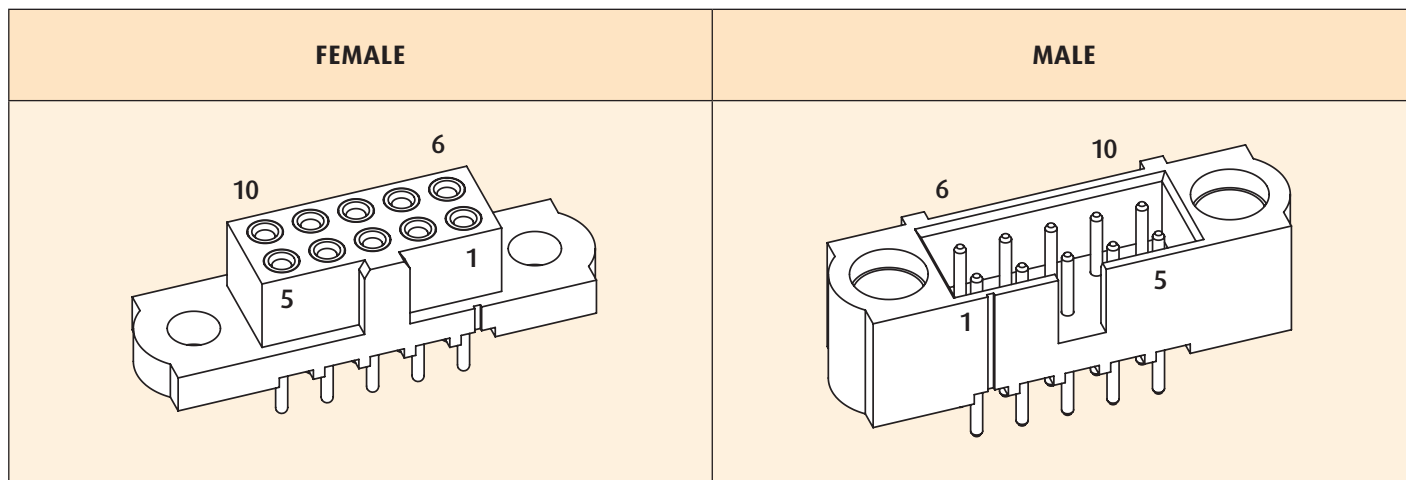
981m/s² (100G) for 6ms

*Acceleration severity:

490m/s² (50G)

* Tested with connectors with Jackscrews.

Pin Numbering



All dimensions in mm.