

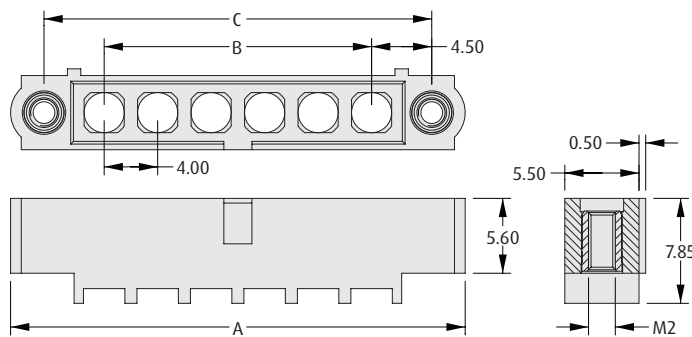
Datamate Mix-Tek Housings

Male Power/Coax Cable Housings

- ❖ Male cable housings fitted with either internally threaded jackscrews (standard gender) or 101Lok receptacles.
- ❖ Internal threaded jackscrews compatible with standard gender floating jackscrews or guide pins.
- ❖ 101Lok receptacle fixings compatible with 101Lok bayonet female fixings.
- ❖ Housings only - compatible power and coax male contacts must be purchased separately.
- ❖ For other combinations shown on the Technical Drawing, please consult our Experts at www.harwin.com/contact.



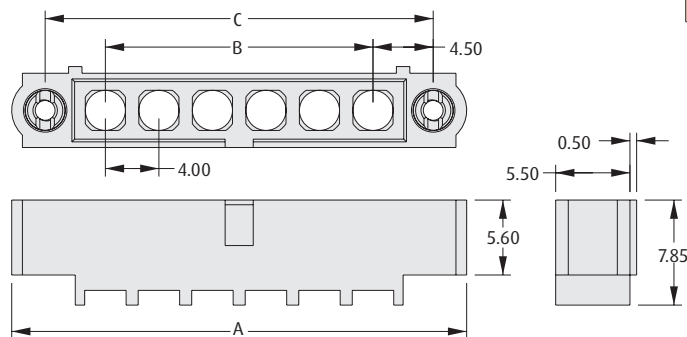
INTERNAL THREADED JACKSCREW



CALCULATION

A	B + 14
B	(No. of contact positions - 1) x 4
C	B + 9

101LOK RECEPTACLE



HOW TO ORDER

M80 - 273 XX XX - 00 - 00

SERIES CODE

HOUSING

273 Male

NO. OF POWER/COAX CONTACT POSITIONS

02, 03, 04, 06, 08

JACKSCREW

M1	Internally threaded jackscrew, standard gender
MC	101Lok receptacle fixing

All dimensions in mm.