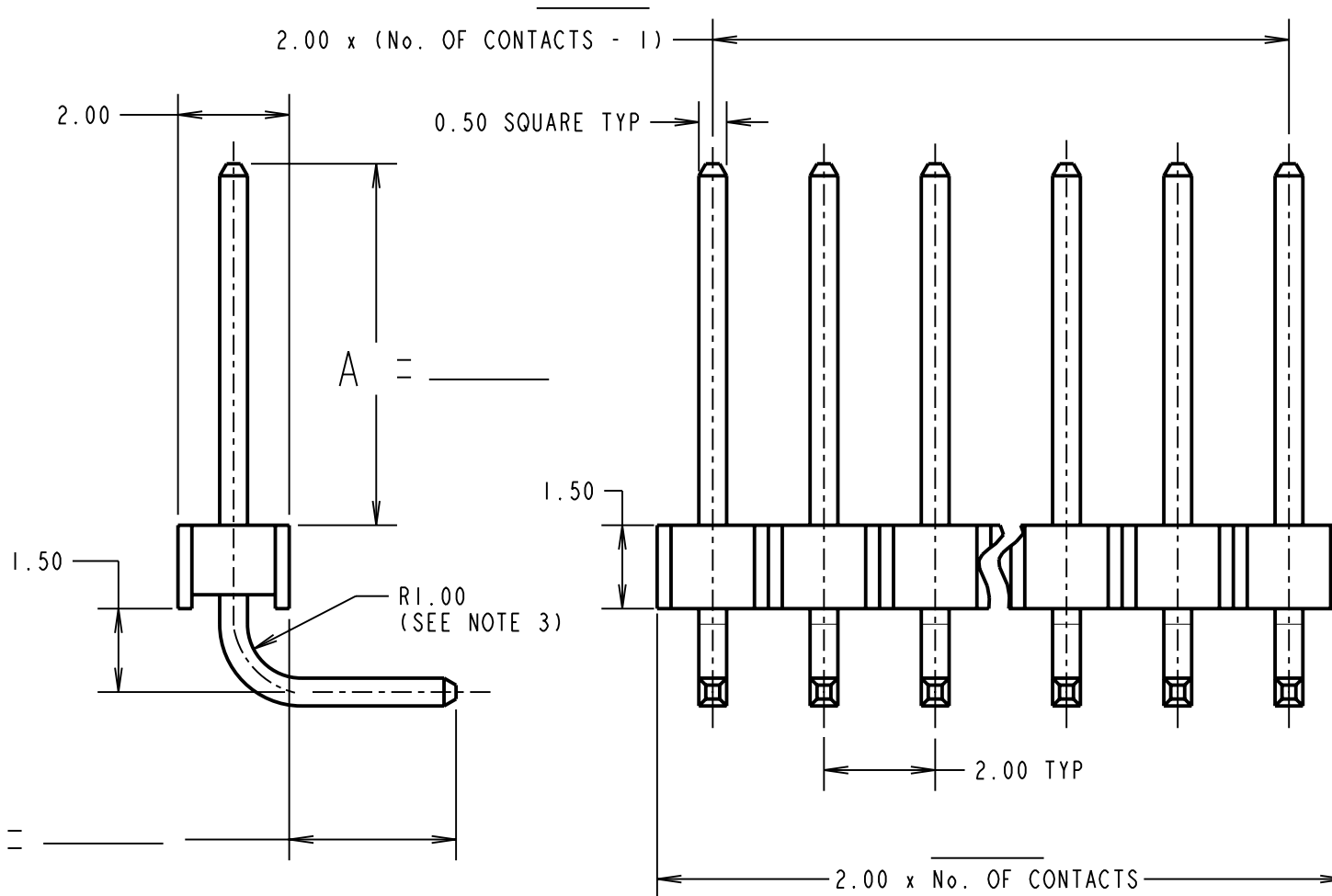


THIS SKETCH IS FOR QUOTATION PURPOSES ONLY

FINISH
(TICK APPLICABLE):

- 100% TIN
- GOLD



- NOTES:
1. MAXIMUM PERMISSIBLE OUT OF SQUARE OF PIN TO MOULDING TO BE 0.10mm IN ANY DIRECTION.
 2. CONTACT LEG VARIATION ON COMPLETE ASSEMBLY NOT TO EXCEED 0.10mm.
 3. RADIUS TO BE CONSISTENT WITHIN 0.25mm FROM PIN TO PIN.

SPECIFICATION:

MATERIAL:
MOULDING = HIGH TEMPERATURE NYLON 6T, UL94V-0, BLACK
PINS = PHOSPHOR BRONZE
FINISH:
PINS: SEE BOX
ELECTRICAL:
CURRENT RATING = 1A MAX
CONTACT RESISTANCE = 30 mΩ MAX
INSULATION RESISTANCE = 100 MΩ MIN
DIELECTRIC STRENGTH = 650V AC/DC
ENVIRONMENTAL:
TEMPERATURE RANGE = -40°C TO +105°C
PACKING:
BAG

DATE OF SKETCH:

REQUESTED BY:

No. OF CONTACTS PER ROW:

HARWIN

HARWIN INC
U.S.A.

HARWIN PLC
U.K.

HARWIN PTE
SINGAPORE

TEL: (812) 542 2540
FAX: (812) 542 2541

TEL: 023 9231 4545
FAX: 023 9231 4590

TEL: 65 6779 4909
FAX: 65 6779 3868

THIS DRAWING AND ANY INFORMATION OR DESCRIPTIVE MATTER SET OUT HEREON ARE CONFIDENTIAL AND COPYRIGHT PROPERTY OF THE HARWIN GROUP AND MUST NOT BE DISCLOSED, LOANED, COPIED OR USED FOR MANUFACTURING, TENDERING OR FOR ANY OTHER PURPOSE WITHOUT THEIR WRITTEN PERMISSION.

TOLERANCES

X. = ±1mm
X.X = ±0.25mm
X.XX = ±0.10mm
X.XXX = ±0.01mm

ANGLES = ±5°

UNLESS STATED

TITLE:

2.00mm PITCH SIL HORIZONTAL
PC TAIL PIN HEADER VARIANT

DRAWING No.:

M22 - _____ H _____

SHT
1 OF 1