

Customer Information Sheet

DRAWING No.: H2179-XX

SHEET 2 OF 2

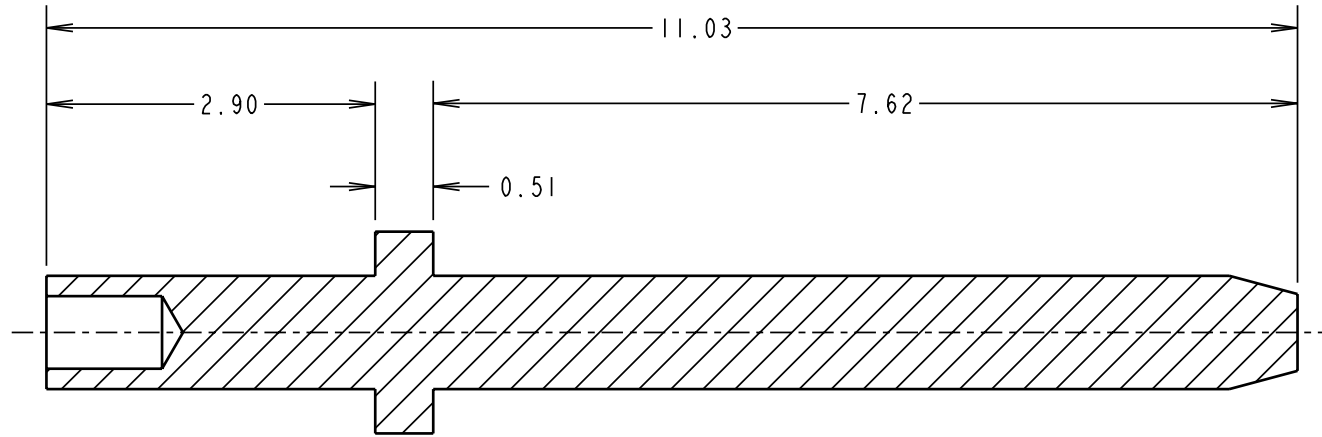
IF IN DOUBT - ASK

Ⓒ

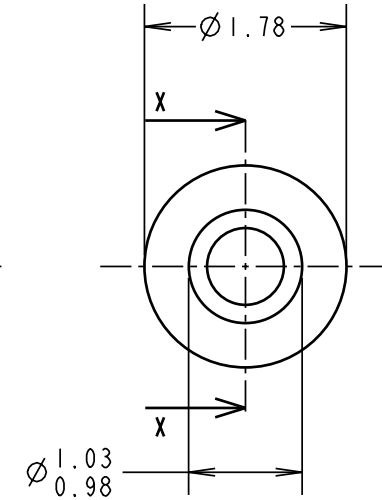
NOT TO SCALE

THIRD ANGLE PROJECTION

ALL DIMENSIONS IN mm



SECTION X-X



NOTES:

1. RECOMMENDED MOUNTING HOLE SIZE = $\varnothing 1.04-1.14$ mm.
2. RECOMMENDED PANEL THICKNESS = 2.39mm.
3. PUNCH & DIE PART No. = Z2179-00.

ORDER CODE:

H2179-XX

FINISH: _____
 01 = TIN
 05 = GOLD

OBsolete

JAE	6	27.03.03	7380
NAME	ISS.	DATE	C/NOTE
APPROVED: P. COLLINS			
CHECKED: W. J. BOURNE			
DRAWN: N. HOLDER			
CUSTOMER REF.:			
ASSEMBLY DRG:			

HARWIN

THIS DRAWING AND ANY INFORMATION OR DESCRIPTIVE MATTER SET OUT HEREON ARE CONFIDENTIAL AND COPYRIGHT PROPERTY OF THE HARWIN GROUP AND MUST NOT BE DISCLOSED, LOANED, COPIED OR USED FOR MANUFACTURING, TENDERING OR FOR ANY OTHER PURPOSE WITHOUT THEIR WRITTEN PERMISSION.

TOLERANCES

X. = ± 1 mm
 X.X = ± 0.25 mm
 X.XX = ± 0.10 mm
 X.XXX = ± 0.01 mm

ANGLES = $\pm 5^\circ$
 UNLESS STATED

MATERIAL:

BRASS CW603N TO BS EN 12164
 (CuZn36Pb3)

FINISH: SEE ABOVE

S/AREA:

mm²

TITLE:

TERMINAL PIN

DRAWING NUMBER:

H2179-XX

SHT
 2 OF 2

HARWIN INC
 U.S.A.
 TEL: (812) 542 2546
 FAX: (812) 542 2541

HARWIN PLC
 U.K.
 TEL: 023 9237 0451
 FAX: 023 9231 4590

HARWIN PTE
 SINGAPORE
 TEL: 65 6779 4909
 FAX: 65 6779 3868