

# TERMINAL BLOCKS

## Rising Clamp 5mm pitch

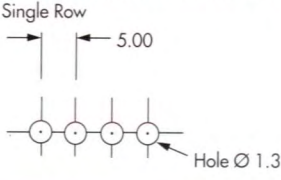
This is a range of 5.0mm pc board mounted interlocking and modular terminal blocks.

- Modular blocks are available as 36 way, with cut off facility.
- Terminal block connects vertically or horizontally onto plug.
- Interlocking blocks can be used mated together to make longer lengths (up to 35 ways maximum).

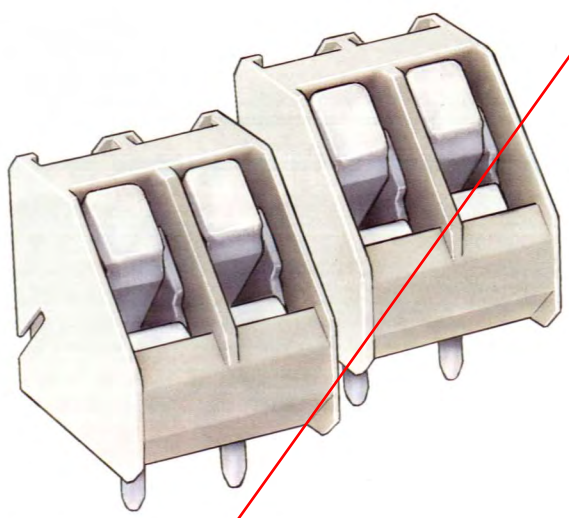
### Specification

- 14-18 AWG.
- Rating 13A/380V. (H05-300)  
10A/250V. (H05-731/H05-730)
- Working Temperature 110°C

### Recommended PC Board Pattern



OBSOLETE



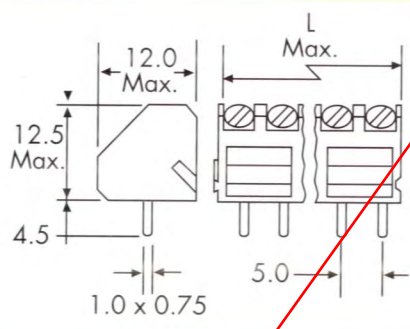
### Materials

- Insulator: Polycarbonate UL94V-0  
Nylon 66 UL94V-0 (H05-300 series).
- Terminals: Brass, plated tin on nickel
- Screws: M2.5 steel, zinc plated
- Rising Clamp: Steel, nickel plated

### POLARISING KEY

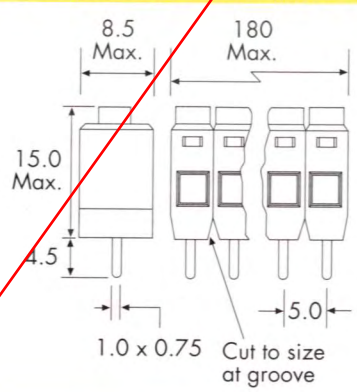
Polarising key inserts over the end of the contact to prevent mismatching.

### 45° RISING CLAMP (INTERLOCKING)

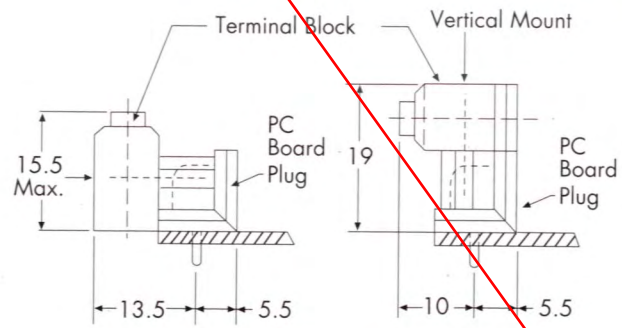


No. of Ways	L	Order Code
2	10	H05-3000291
3	15	H05-3000391
4	20	H05-3000491
6	30	H05-3000691
12	60	H05-3001291

### VERTICAL, RISING CLAMP (MODULAR)



### PLUG IN, RISING CLAMP (MODULAR)



No. of Ways	Order Code
36	H05-7003691

No. of Ways	PC Boards Plug	Terminal Block	Polarising Clips (Pair)
36	H05-7313691	H05-730369	H05-001