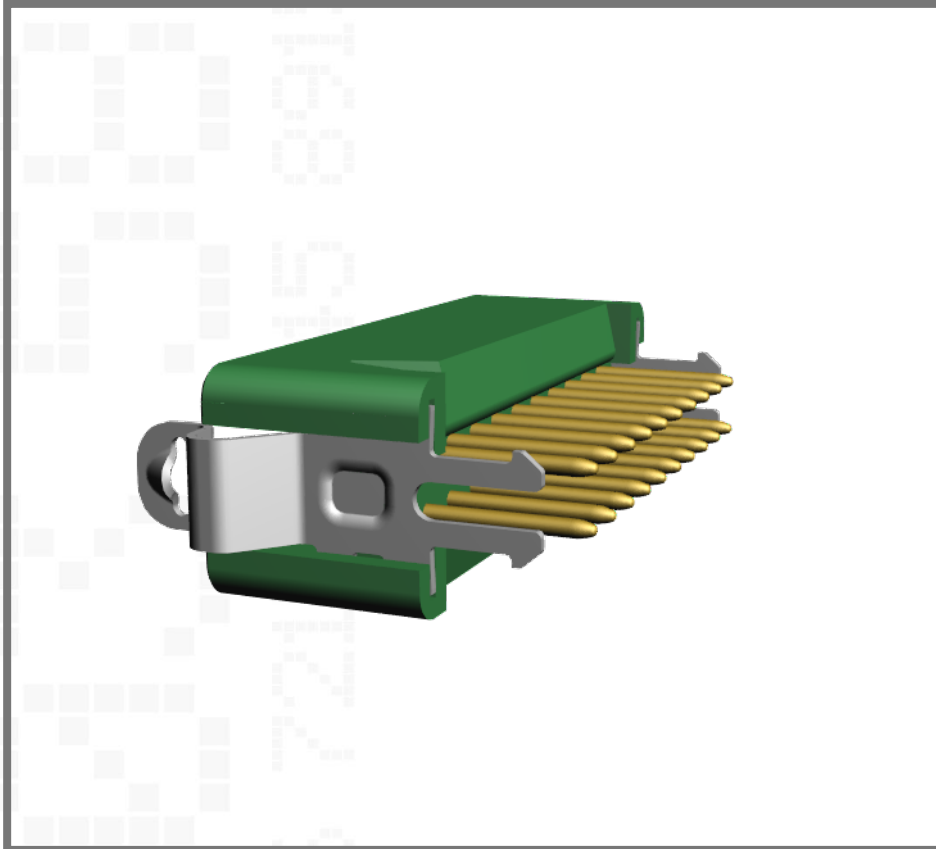


## G125-MV12005L1P

Gecko DIL Male Vertical 3mm PC Tail Connector, 1.25mm pitch



Technical Drawing:

[G125-MV.pdf](#)

Website

[G125-MV12005L1P](#)

Component Specification:

[C125XX](#)

[Request an evaluation sample](#)

1.6mm PC Tail latches, Gold, 10+10 contacts, supplied with pick & place cap