

# Customer Information Sheet

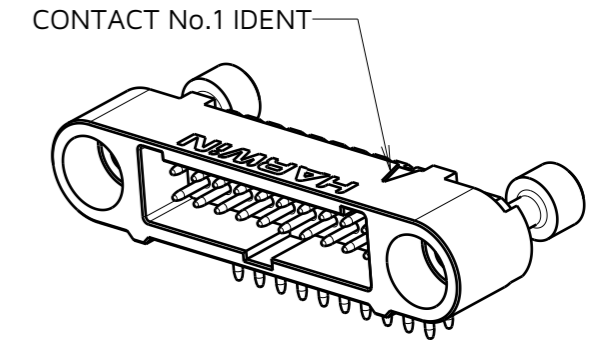
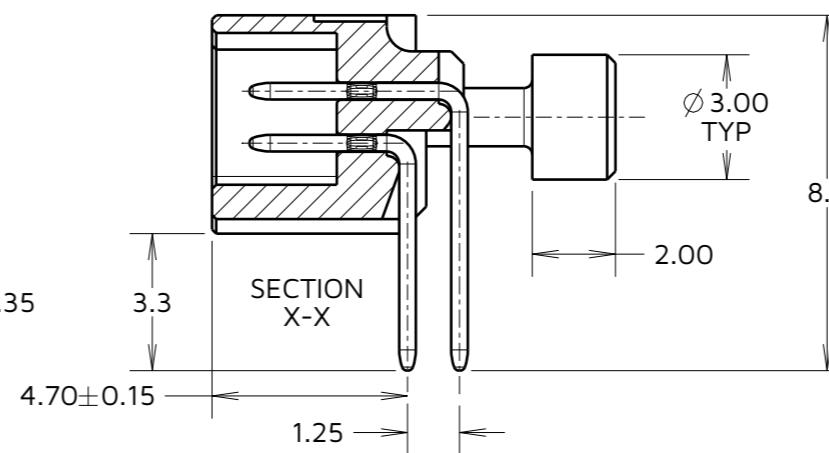
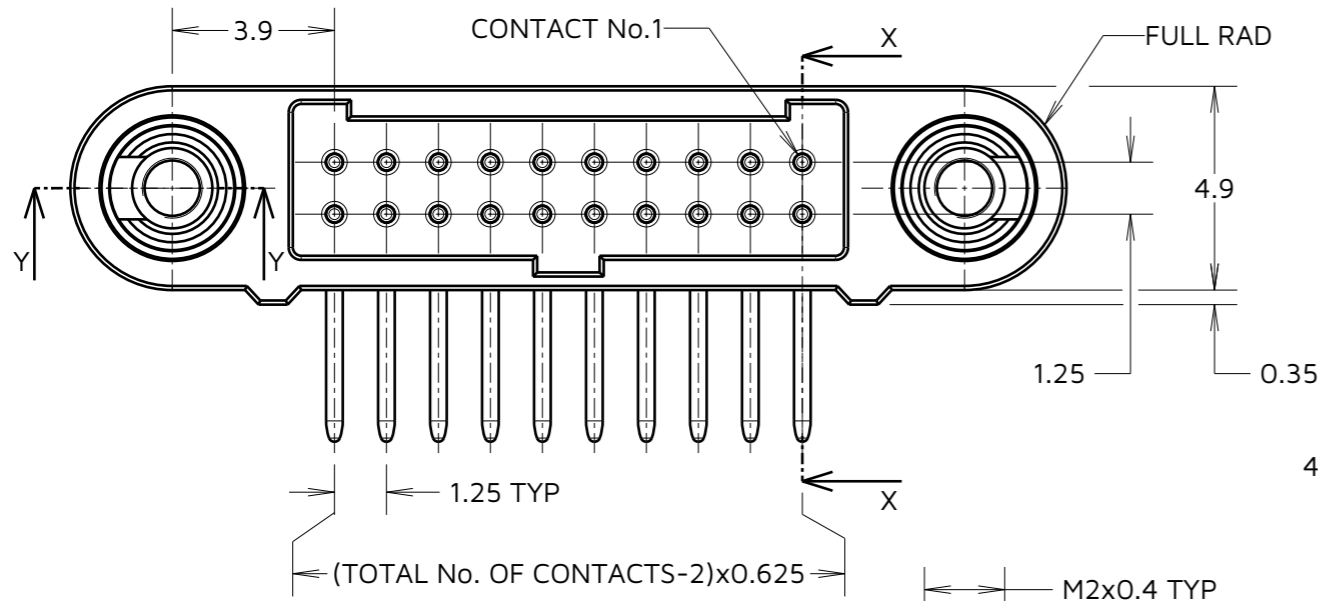
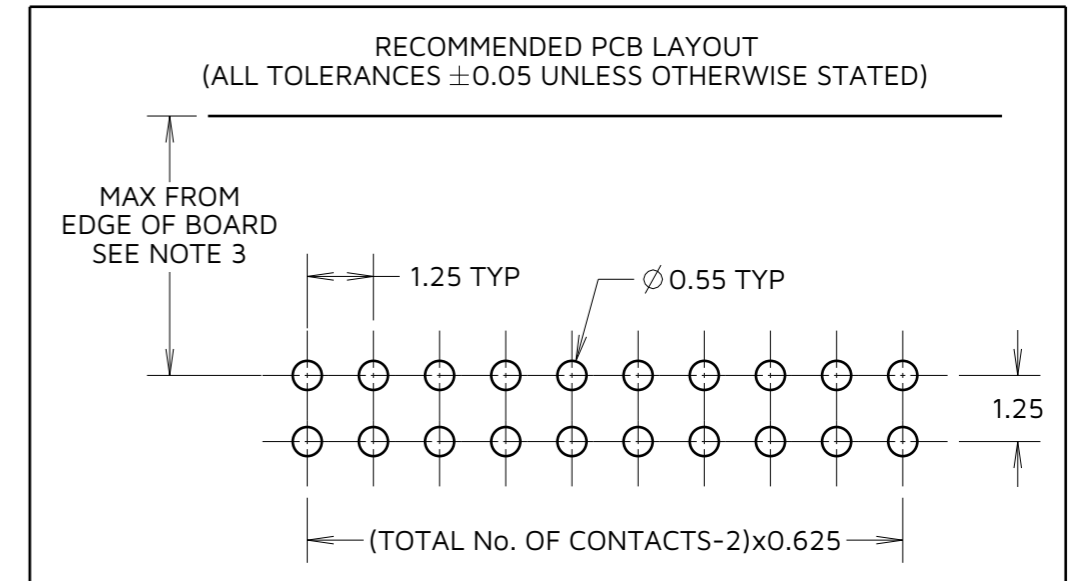
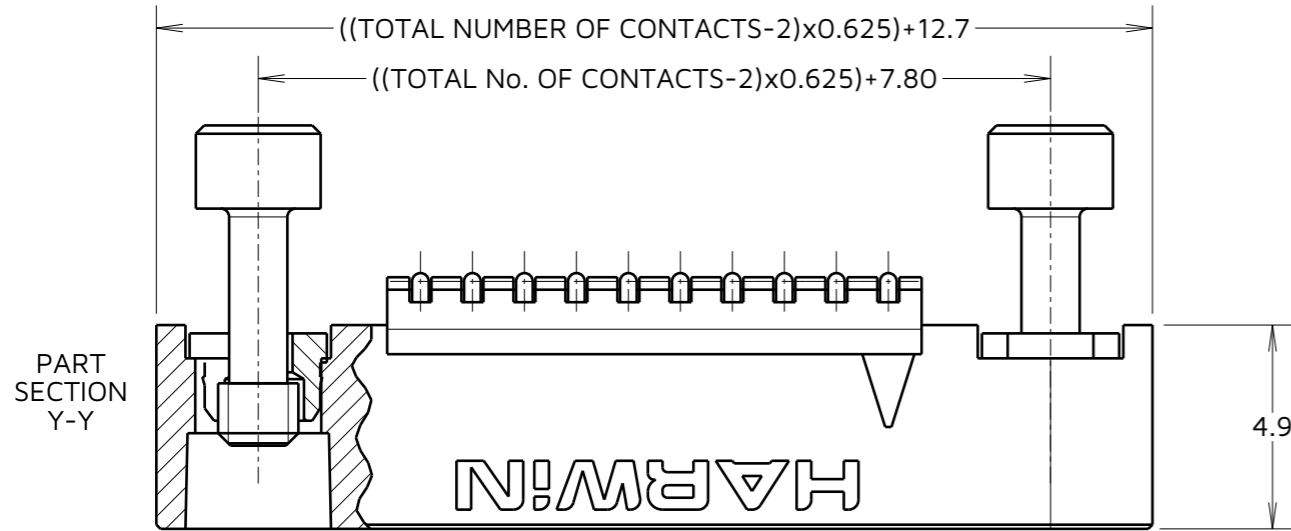
IF IN DOUBT - ASK

©

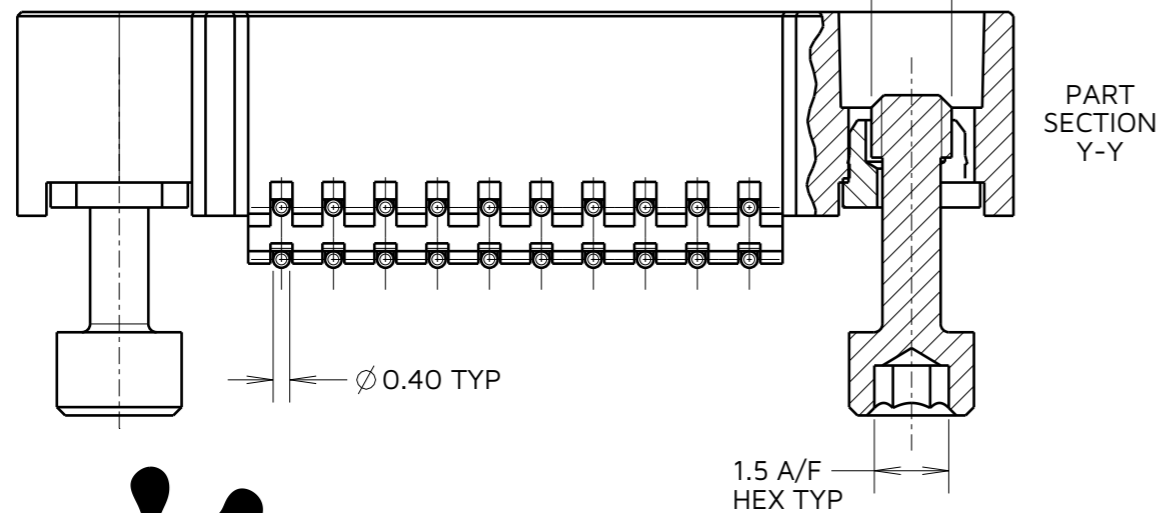
NOT TO SCALE

THIRD ANGLE PROJECTION

ALL DIMENSIONS IN mm



PRODUCT CODE:  
**G125-MH1XX05M3P**  
 TOTAL No. OF CONTACTS \_\_\_\_\_  
 06, 10, 12, 16, 20, 26, 34 & 50.



## CONNECTOR AND PCB LAYOUT DETAILS ONLY.

SEE SHEET 4 FOR TAPE STRIP DETAILS.

**NOTES:**

- FOR MATERIALS, FINISH AND SPECIFICATION SEE GECKO SERIES CONNECTORS SPECIFICATION SUMMARY SHEET OR COMPONENT SPECIFICATION C125XX (LATEST ISSUE) FOR FULL SPECIFICATION.
- DRAWING SHOWS CONNECTOR WITH 20 CONTACTS.
- MAX DISTANCE OF NEARSIDE CONTACTS TO BOARD EDGE WHEN MATED WITH:  
 -UNSHIELDED CABLE: 4.90mm  
 -SHIELDED CABLE : 2.75mm

AB	4	01.05.24	34006
NAME	ISS.	DATE	CN/CO
APPROVED:		A.BOXALL	
CHECKED:		A.YEOMANS	
DRAWN:		M.RUDKIN	
ASSEMBLY DRG:			



**HARWIN**

www.harwin.com

TOLERANCES  
 X. = ±1mm  
 X.X = ±0.50mm  
 X.XX = ±0.20mm  
 X.XXX = ±0.01mm  
 ANGLES = ±5°  
 UNLESS STATED

THIS DRAWING AND ANY INFORMATION OR DESCRIPTIVE MATTER SET OUT HEREON ARE CONFIDENTIAL AND COPYRIGHT PROPERTY OF THE HARWIN GROUP AND MUST NOT BE DISCLOSED, LOANED, COPIED OR USED FOR MANUFACTURING, TENDERING OR FOR ANY OTHER PURPOSE WITHOUT THEIR WRITTEN PERMISSION.

MATERIAL:  
 SEE ABOVE

TITLE: **GECKO-SL HORIZONTAL PC-TAIL MALE CONNECTOR ASSEMBLY IN TAPE**

DRAWING NUMBER:  
**G125-MH1XX05M3P**

SHT  
 3  
 OF  
 4

# Customer Information Sheet

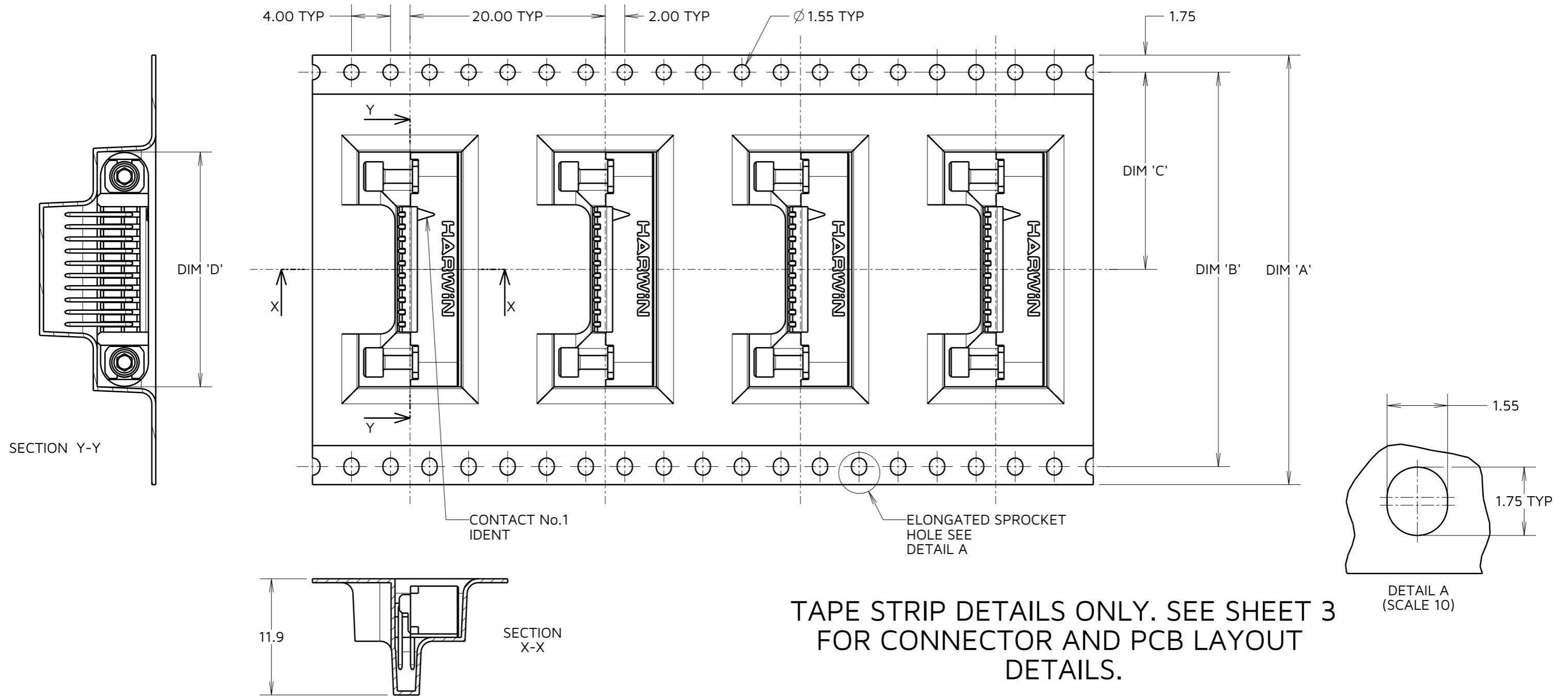
IF IN DOUBT - ASK

©

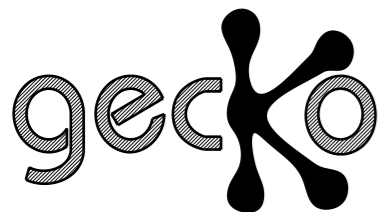
NOT TO SCALE

THIRD ANGLE PROJECTION

ALL DIMENSIONS IN mm



TAPE STRIP DETAILS ONLY. SEE SHEET 3 FOR CONNECTOR AND PCB LAYOUT DETAILS.



PRODUCT CODE:  
**G125-MH1XX05M3P**  
TOTAL No. OF CONTACTS \_\_\_\_\_  
06, 10, 12, 16, 20, 26, 34 & 50.

PART No.	DIM 'A'	DIM 'B'	DIM 'C'	DIM 'D'
G125-MH10605M3P				15.30
G125-MH11005M3P	32.0±0.3	28.40	14.20	17.80
G125-MH11205M3P				19.05
G125-MH11605M3P	44.0±0.3	40.40	20.20±0.15	21.55
G125-MH12005M3P				24.05
G125-MH12605M3P				27.80
G125-MH13405M3P	56.0±0.3	52.40	26.20±0.15	32.80
G125-MH15005M3P				42.80

AB	4	01.05.24	34006
NAME	ISS.	DATE	CN/CO
APPROVED:		A.BOXALL	
CHECKED:		A.YEOMANS	
DRAWN:		M.RUDKIN	
ASSEMBLY DRG:			

NOTES:  
4. COMPONENTS ARE ORIENTED IN TAPE POCKETS AS SHOWN.  
5. COMPONENTS ARE SUPPLIED IN STRIPS OF TAPE WITH A QUANTITY OF 10 CONNECTORS PER STRIP.

**HARWIN**

www.harwin.com

TOLERANCES  
X. = ±1mm  
X.X = ±0.50mm  
X.XX = ±0.20mm  
X.XXX = ±0.01mm  
ANGLES = ±5°  
UNLESS STATED

THIS DRAWING AND ANY INFORMATION OR DESCRIPTIVE MATTER SET OUT HEREON ARE CONFIDENTIAL AND COPYRIGHT PROPERTY OF THE HARWIN GROUP AND MUST NOT BE DISCLOSED, LOANED, COPIED OR USED FOR MANUFACTURING, TENDERING OR FOR ANY OTHER PURPOSE WITHOUT THEIR WRITTEN PERMISSION.

MATERIAL:  
  
SEE ABOVE

TITLE: **GECKO-SL HORIZONTAL PC-TAIL MALE CONNECTOR ASSEMBLY IN TAPE**

DRAWING NUMBER:  
**G125-MH1XX05M3P**

SHT  
4 OF  
4