

Customer Information Sheet

DRAWING No.: G125-MDXXX69M3-XXXXM3

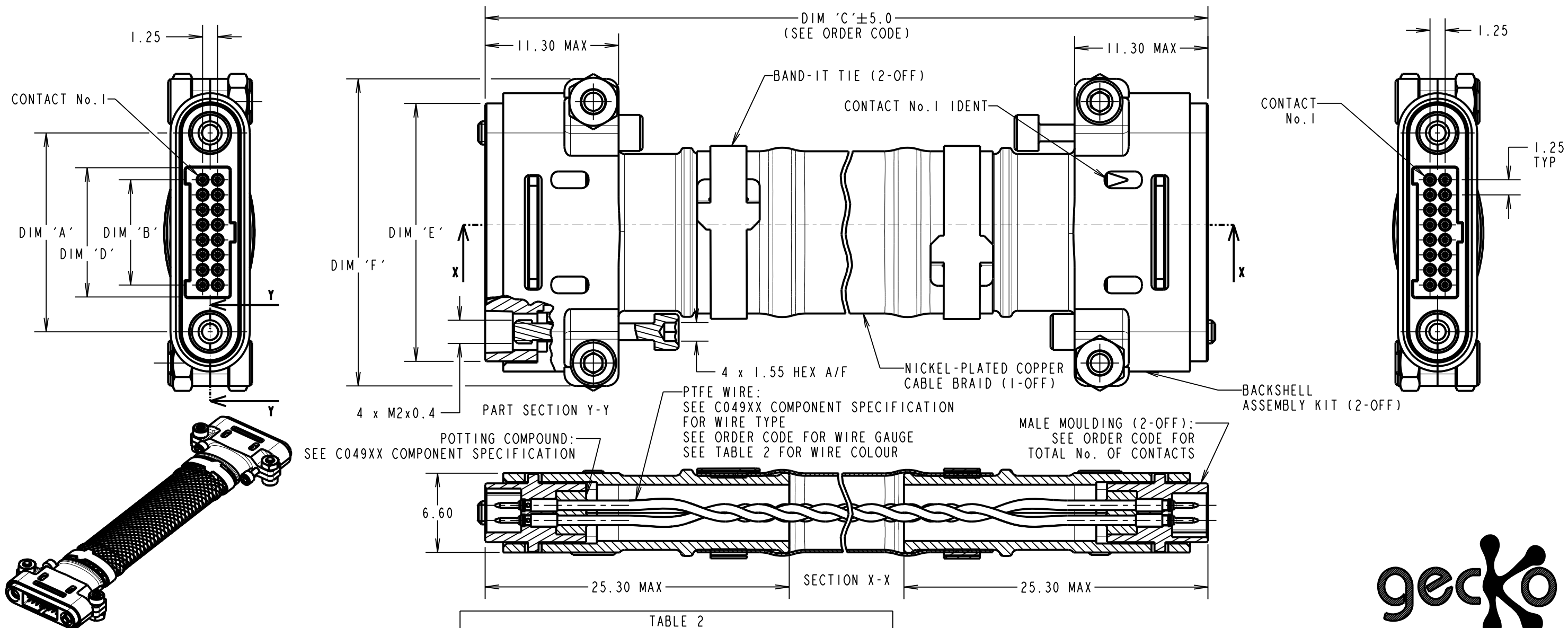
IF IN DOUBT - ASK

©

NOT TO SCALE

THIRD ANGLE PROJECTION

ALL DIMENSIONS IN mm



- NOTES:
- CABLE ASSEMBLIES ARE BULK PACKED IN BAGS.
 - CUSTOM LENGTH CABLE ASSEMBLIES CAN BE PRODUCED FROM 80mm TO 9999mm.
 - FOR COMPLETE SPECIFICATION, SEE COMPONENT SPECIFICATIONS C049XX AND C125XX (LATEST ISSUE).
 - SEE TABLE 2 FOR WIRING OF CONNECTORS.

TABLE 2				
FOR CONNECTORS WITH MORE THAN 10 CONTACTS, CONTINUE TWIST & CABLE PIN OUT CONVENTION IN THE SAME PATTERN. IE. TWISTED PAIR BETWEEN CONTACT X & CONTACT X				
WIRING FOR EXAMPLE PART No. G125-MD11069M3-0150M3				
TWISTED PAIR No.	CONNECTOR 1 PIN No.	CONNECTOR 2 PIN No.	TURNS PER INCH	WIRE COLOUR
1	1 6	1 6	3	WHITE & GREEN
2	2 7	2 7	2	WHITE & RED
3	3 8	3 8	3	WHITE & GREEN
4	4 9	4 9	2	WHITE & RED
5	5 10	5 10	3	WHITE & GREEN

ORDER CODE:
G125-MDXXX69M3-XXXXM3

26 AWG = 1
 28 AWG = 2

DIM 'C' LENGTH:
 0080 = 80mm MIN
 9999 = 9999mm MAX

TOTAL No. OF CONTACTS:
 06, 10, 12, 16,
 20, 26, 34, 50

RTP	2	03.12.20	30279
NAME	ISS.	DATE	CN/CO
APPROVED:		R.PORTLOCK	
CHECKED:		R.ALEXANDER	
DRAWN:		R.PORTLOCK	
CUSTOMER REF.:			
ASSEMBLY DRG:			

TABLE 1	
DIMENSION	MEASUREMENT
DIM 'A'	(TOTAL No. OF CONTACTS - 2) x 0.625 + 7.8
DIM 'B'	(TOTAL No. OF CONTACTS - 2) x 0.625
DIM 'D'	(TOTAL No. OF CONTACTS - 2) x 0.625 + 2.0
DIM 'E'	(TOTAL No. OF CONTACT - 2) x 0.625 + 12.7
DIM 'F'	(TOTAL No. OF CONTACTS - 2) x 0.625 + 14.9

EXAMPLE PART No.:

10 CONTACT CONNECTOR WITH 150mm OF 26AWG WIRE = G125-MD11069M3-0150M3

50 CONTACT CONNECTOR WITH 450mm OF 28AWG WIRE = G125-MD25069M3-0450M3

 www.harwin.com technical@harwin.com	THIS DRAWING AND ANY INFORMATION OR DESCRIPTIVE MATTER SET OUT HEREON ARE CONFIDENTIAL AND COPYRIGHT PROPERTY OF THE HARWIN GROUP AND MUST NOT BE DISCLOSED, LOANED, COPIED OR USED FOR MANUFACTURING, TENDERING OR FOR ANY OTHER PURPOSE WITHOUT THEIR WRITTEN PERMISSION.	TOLERANCES X. = ±1mm X.X = ±0.50mm X.XX = ±0.20mm X.XXX = ±0.01mm ANGLES = ±5° UNLESS STATED	MATERIAL: SEE ABOVE	TITLE: G125 SERIES DOUBLE-ENDED MALE TWISTED PAIR & FULLY SHIELDED CABLE ASSEMBLY
		FINISH: SEE ABOVE S/AREA: mm ²	DRAWING NUMBER: G125-MDXXX69M3-XXXXM3	SHT 3 OF 3