

Customer Information Sheet

DRAWING No.: G125-MDXXX69M3-XXXXF1

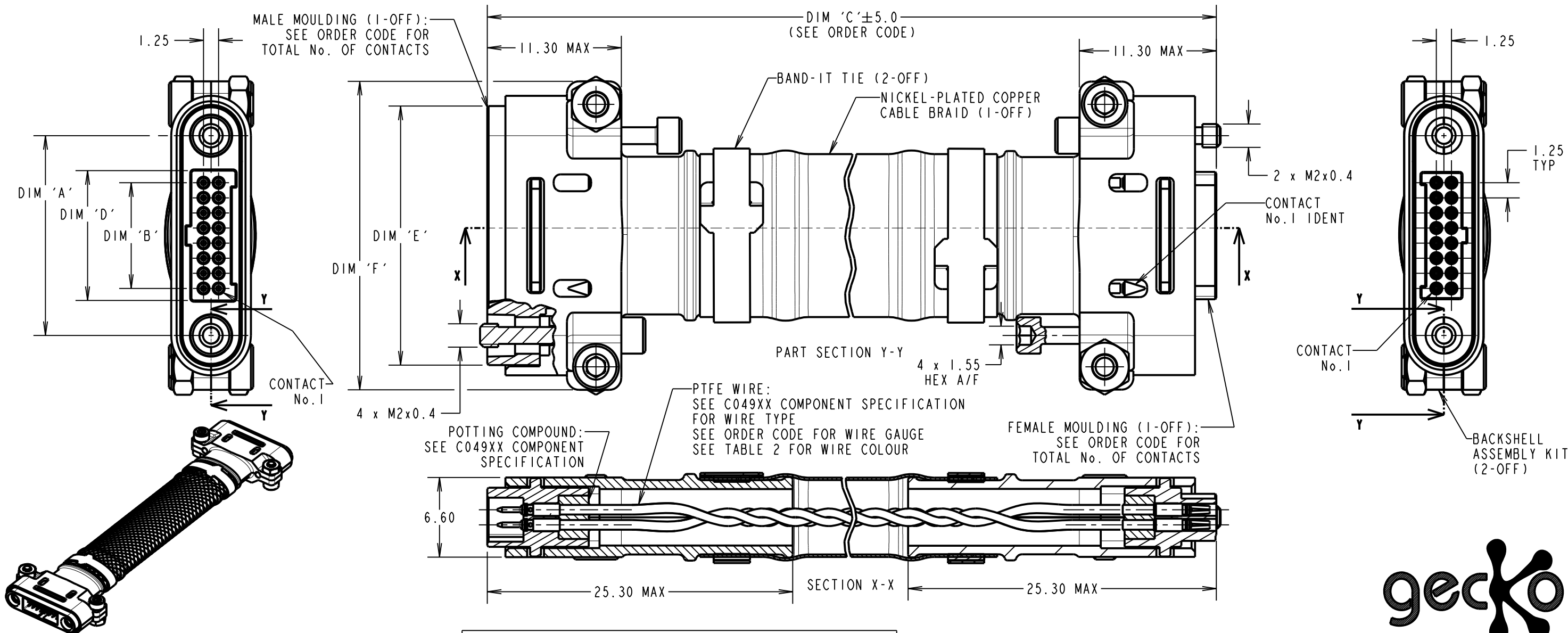
IF IN DOUBT - ASK

©

NOT TO SCALE

THIRD ANGLE PROJECTION

ALL DIMENSIONS IN mm



PATENTED TECHNOLOGY

- NOTES:
1. CABLE ASSEMBLIES ARE BULK PACKED IN BAGS.
 2. CUSTOM LENGTH CABLE ASSEMBLIES CAN BE PRODUCED FROM 80mm TO 9999mm.
 3. FOR COMPLETE SPECIFICATION, SEE COMPONENT SPECIFICATIONS C049XX AND C125XX (LATEST ISSUE).
 4. SEE TABLE 2 FOR WIRING OF CONNECTOR.

TABLE 2				
FOR CONNECTORS WITH MORE THAN 10 CONTACTS, CONTINUE TWIST & CABLE PIN OUT CONVENTION IN THE SAME PATTERN. I.E. TWISTED PAIR BETWEEN CONTACT X & CONTACT X				
WIRING FOR EXAMPLE PART No. G125-MD11069M3-0150F1				
TWISTED PAIR No.	CONNECTOR 1 PIN No.	CONNECTOR 2 PIN No.	TURNS PER INCH	WIRE COLOUR
1	1	1	3	WHITE & GREEN
	6	6		
2	2	2	2	WHITE & RED
	7	7		
3	3	3	3	WHITE & GREEN
	8	8		
4	4	4	2	WHITE & RED
	9	9		
5	5	5	3	WHITE & GREEN
	10	10		

ORDER CODE:
G125-MDXXX69M3-XXXXF1

26 AWG = 1
 28 AWG = 2

DIM 'C' LENGTH:
 0080 = 80mm MIN
 9999 = 9999mm MAX

TOTAL No. OF CONTACTS:
 06, 10, 12, 16,
 20, 26, 34, 50

TABLE 1	
DIMENSION	MEASUREMENT
DIM 'A'	(TOTAL No. OF CONTACTS - 2) x 0.625 + 7.8
DIM 'B'	(TOTAL No. OF CONTACTS - 2) x 0.625
DIM 'D'	(TOTAL No. OF CONTACTS - 2) x 0.625 + 2.0
DIM 'E'	(TOTAL No. OF CONTACT - 2) x 0.625 + 12.7
DIM 'F'	(TOTAL No. OF CONTACTS - 2) x 0.625 + 14.9

EXAMPLE PART No. :
 10 CONTACT CONNECTOR WITH 150mm OF 26AWG WIRE = G125-MD11069M3-0150F1
 50 CONTACT CONNECTOR WITH 450mm OF 28AWG WIRE = G125-MD25069M3-0450F1



www.harwin.com
 technical@harwin.com

THIS DRAWING AND ANY INFORMATION OR DESCRIPTIVE MATTER SET OUT HEREON ARE CONFIDENTIAL AND COPYRIGHT PROPERTY OF THE HARWIN GROUP AND MUST NOT BE DISCLOSED, LOANED, COPIED OR USED FOR MANUFACTURING, TENDERING OR FOR ANY OTHER PURPOSE WITHOUT THEIR WRITTEN PERMISSION.

TOLERANCES
 X. = ±1mm
 X.X = ±0.50mm
 X.XX = ±0.20mm
 X.XXX = ±0.01mm
 ANGLES = ±5°
 UNLESS STATED

MATERIAL:
 SEE ABOVE
 FINISH: SEE ABOVE
 S/AREA: mm²

TITLE: G125 SERIES DOUBLE-ENDED MALE-TO-FEMALE TWISTED PAIR & FULLY SHIELDED CABLE ASSEMBLY

DRAWING NUMBER:
G125-MDXXX69M3-XXXXF1
 SHT 4 OF 4

RTP	2	13.01.21	30279
NAME	ISS.	DATE	CN/CO
APPROVED:		R.PORTLOCK	
CHECKED:		R.ALEXANDER	
DRAWN:		R.PORTLOCK	
CUSTOMER REF.:			
ASSEMBLY DRG:			