

Customer Information Sheet

DRAWING No.: G125-MDXXX05L4-XXXXL

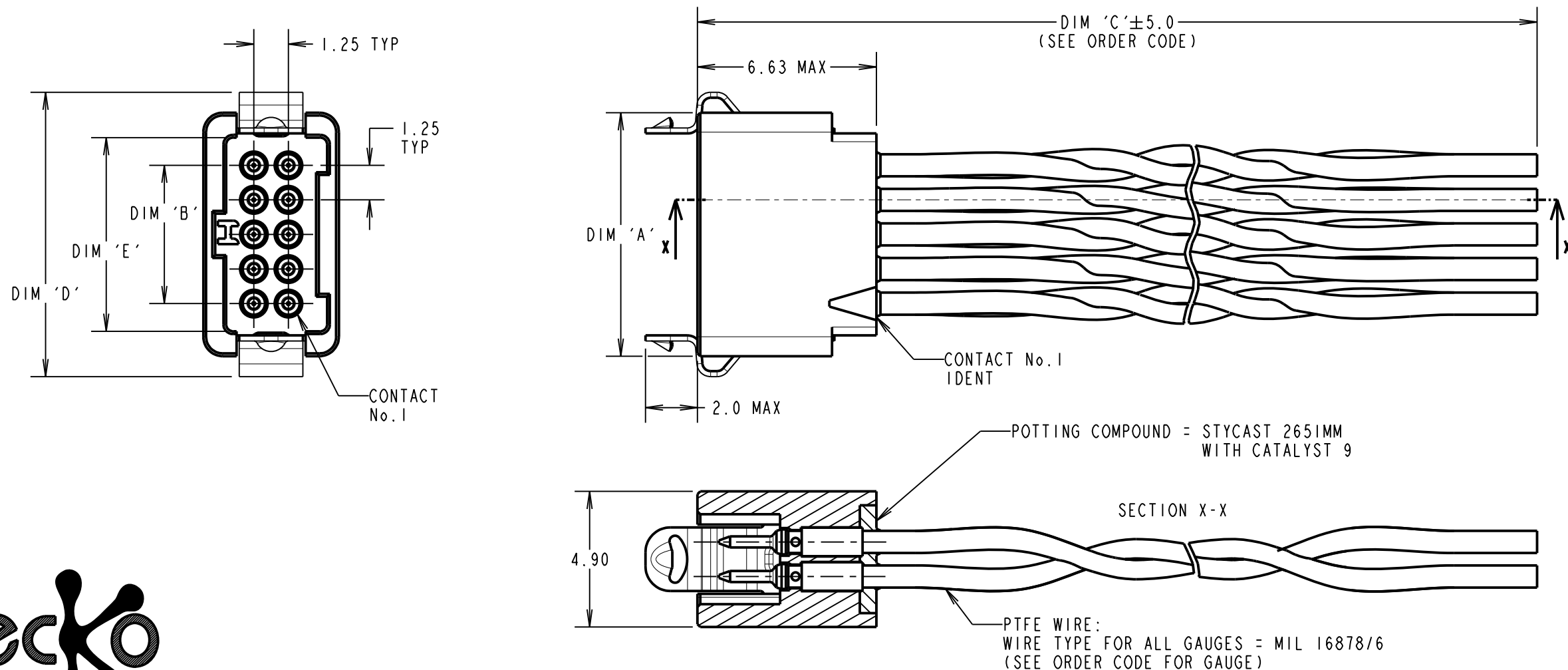
IF IN DOUBT - ASK

©

NOT TO SCALE

THIRD ANGLE PROJECTION

ALL DIMENSIONS IN mm



PATENTED TECHNOLOGY

NOTES:

1. CABLE ASSEMBLIES ARE BULK PACKED IN BAGS.
2. CUSTOM LENGTH CABLE ASSEMBLIES CAN BE PRODUCED FROM 60mm TO 9999mm.
3. FOR COMPLETE SPECIFICATION, SEE COMPONENT SPECIFICATIONS C049XX AND C125XX (LATEST ISSUE).
4. SEE TABLE FOR CONNECTOR WIRING CONVENTION.

| DIMENSION | MEASUREMENT |
|-----------|---|
| DIM 'A' | (TOTAL No. OF CONTACTS - 2) x 0.625 + 3.8 |
| DIM 'B' | (TOTAL No. OF CONTACTS - 2) x 0.625 |
| DIM 'D' | (TOTAL No. OF CONTACTS - 2) x 0.625 + 5.2 |
| DIM 'E' | (TOTAL No. OF CONTACTS - 2) x 0.625 + 2.0 |

EXAMPLE PART No.:
 10 CONTACT CONNECTOR WITH 150mm OF 26AWG WIRE = G125-MD11005L4-0150L
 50 CONTACT CONNECTOR WITH 450mm OF 28AWG WIRE = G125-MD25005L4-0450L

| WIRING FOR EXAMPLE PART No. G125-MD11005L4-0150L | | | | |
|--|---------------------|---------------------|----------------|---------------|
| TWISTED PAIR No. | CONNECTOR 1 PIN No. | CONNECTOR 2 PIN No. | TURNS PER INCH | WIRE COLOUR |
| 1 | 1 | 6 | 3 | WHITE & GREEN |
| | 6 | 1 | | |
| 2 | 2 | 7 | 2 | WHITE & RED |
| | 7 | 2 | | |
| 3 | 3 | 8 | 3 | WHITE & GREEN |
| | 8 | 3 | | |
| 4 | 4 | 9 | 2 | WHITE & RED |
| | 9 | 4 | | |
| 5 | 5 | 10 | 3 | WHITE & GREEN |
| | 10 | 5 | | |

FOR CONNECTORS WITH MORE THAN 10 CONTACTS, CONTINUE TWIST & CABLE PIN OUT CONVENTION IN THE SAME PATTERN. I.E. TWISTED PAIR BETWEEN CONTACT 1 & CONTACT (TOTAL No. OF CONTACTS/2)+1

ORDER CODE:
G125-MDXXX05L4-XXXXL

26 AWG = 1
 28 AWG = 2

DIM 'C' LENGTH:
 0060 = 60mm MIN
 9999 = 9999mm MAX

TOTAL No. OF CONTACTS:
 06, 10, 12, 16,
 20, 26, 34, 50

| | | | |
|----------------|------|-------------|-------|
| RTP | 1 | 20.10.20 | 30239 |
| NAME | ISS. | DATE | CN/CO |
| APPROVED: | | R.PORTLOCK | |
| CHECKED: | | R.ALEXANDER | |
| DRAWN: | | R.PORTLOCK | |
| CUSTOMER REF.: | | | |
| ASSEMBLY DRG: | | | |



www.harwin.com
 technical@harwin.com

THIS DRAWING AND ANY INFORMATION OR DESCRIPTIVE MATTER SET OUT HEREON ARE CONFIDENTIAL AND COPYRIGHT PROPERTY OF THE HARWIN GROUP AND MUST NOT BE DISCLOSED, LOANED, COPIED OR USED FOR MANUFACTURING, TENDERING OR FOR ANY OTHER PURPOSE WITHOUT THEIR WRITTEN PERMISSION.

TOLERANCES
 X. = ±1mm
 X.X = ±0.50mm
 X.XX = ±0.20mm
 X.XXX = ±0.01mm
 ANGLES = ±5°
 UNLESS STATED

MATERIAL:
 SEE ABOVE
FINISH: SEE ABOVE
S/AREA: mm²

TITLE: G125 SERIES SINGLE-ENDED MALE LATCHED CRIMP CONNECTOR WITH TWISTED PAIR

DRAWING NUMBER:
G125-MDXXX05L4-XXXXL