

Customer Information Sheet

DRAWING No.: G125-MCXXX69MI-XXXXMI

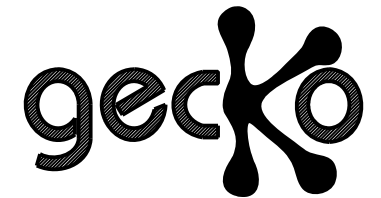
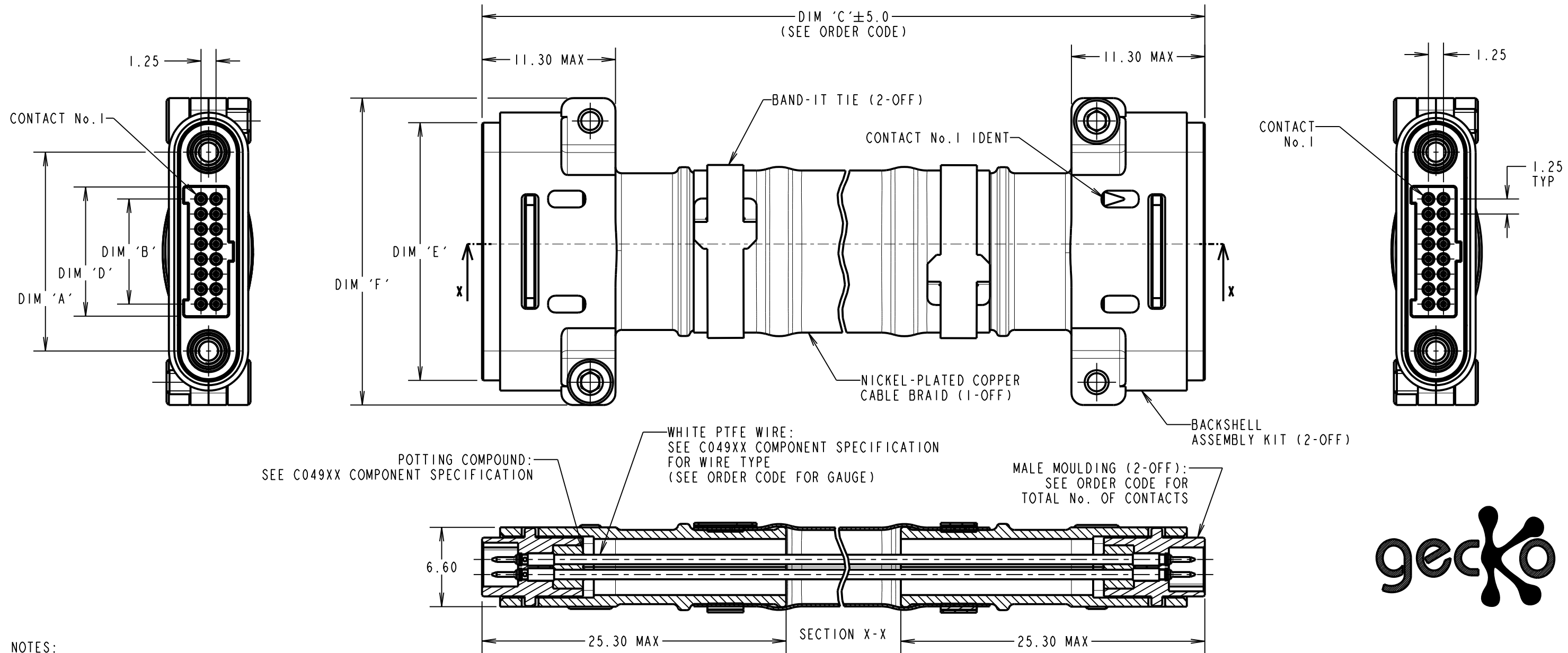
IF IN DOUBT - ASK

©

NOT TO SCALE

THIRD ANGLE PROJECTION

ALL DIMENSIONS IN mm



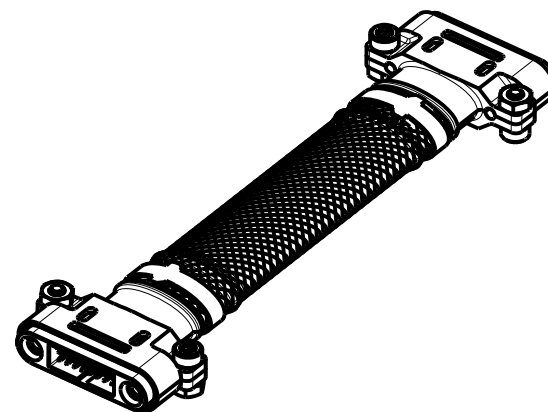
- NOTES:
- CABLE ASSEMBLIES ARE BULK PACKED IN BAGS.
 - CUSTOM LENGTH CABLE ASSEMBLIES CAN BE PRODUCED FROM 80mm TO 9999mm.
 - FOR COMPLETE SPECIFICATION, SEE COMPONENT SPECIFICATIONS C049XX AND C125XX (LATEST ISSUE).
 - WIRING OF CONNECTOR:
CONTACT 1 TO CONTACT 1,
CONTACT 2 TO CONTACT 2, ETC.

DIMENSION	MEASUREMENT
DIM 'A'	(TOTAL No. OF CONTACTS - 2) x 0.625 + 7.8
DIM 'B'	(TOTAL No. OF CONTACTS - 2) x 0.625
DIM 'D'	(TOTAL No. OF CONTACTS - 2) x 0.625 + 2.0
DIM 'E'	(TOTAL No. OF CONTACT - 2) x 0.625 + 12.7
DIM 'F'	(TOTAL No. OF CONTACTS - 2) x 0.625 + 14.9

EXAMPLE PART No.:

10 CONTACT CONNECTOR WITH 150mm OF 26AWG WIRE = G125-MC11069MI-0150MI

50 CONTACT CONNECTOR WITH 450mm OF 28AWG WIRE = G125-MC25069MI-0450MI



ORDER CODE:

G125-MCXXX69MI-XXXXMI

26 AWG = 1
28 AWG = 2

DIM 'C' LENGTH:
0080 = 80mm MIN
9999 = 9999mm MAX

TOTAL No. OF CONTACTS:
06, 10, 12, 16,
20, 26, 34, 50

RTP	2	13.01.21	30279
NAME	ISS.	DATE	CN/CO
APPROVED:		R.PORTLOCK	
CHECKED:		M.RUDKIN	
DRAWN:		R.PORTLOCK	
CUSTOMER REF.:			
ASSEMBLY DRG:			

HARWIN

www.harwin.com
technical@harwin.com

THIS DRAWING AND ANY INFORMATION OR DESCRIPTIVE MATTER SET OUT HEREON ARE CONFIDENTIAL AND COPYRIGHT PROPERTY OF THE HARWIN GROUP AND MUST NOT BE DISCLOSED, LOANED, COPIED OR USED FOR MANUFACTURING, TENDERING OR FOR ANY OTHER PURPOSE WITHOUT THEIR WRITTEN PERMISSION.

TOLERANCES
X. = ±1mm
X.X = ±0.50mm
X.XX = ±0.20mm
X.XXX = ±0.01mm
ANGLES = ±5°
UNLESS STATED

MATERIAL:
SEE ABOVE
FINISH: SEE ABOVE
S/AREA: mm²

TITLE: G125 SERIES DOUBLE-ENDED MALE FULLY SHIELDED CABLE ASSEMBLY

DRAWING NUMBER:
G125-MCXXX69MI-XXXXMI

SHT
3
OF
3