

# Customer Information Sheet

DRAWING No.: G125-MCXXX68MI-XXXXL

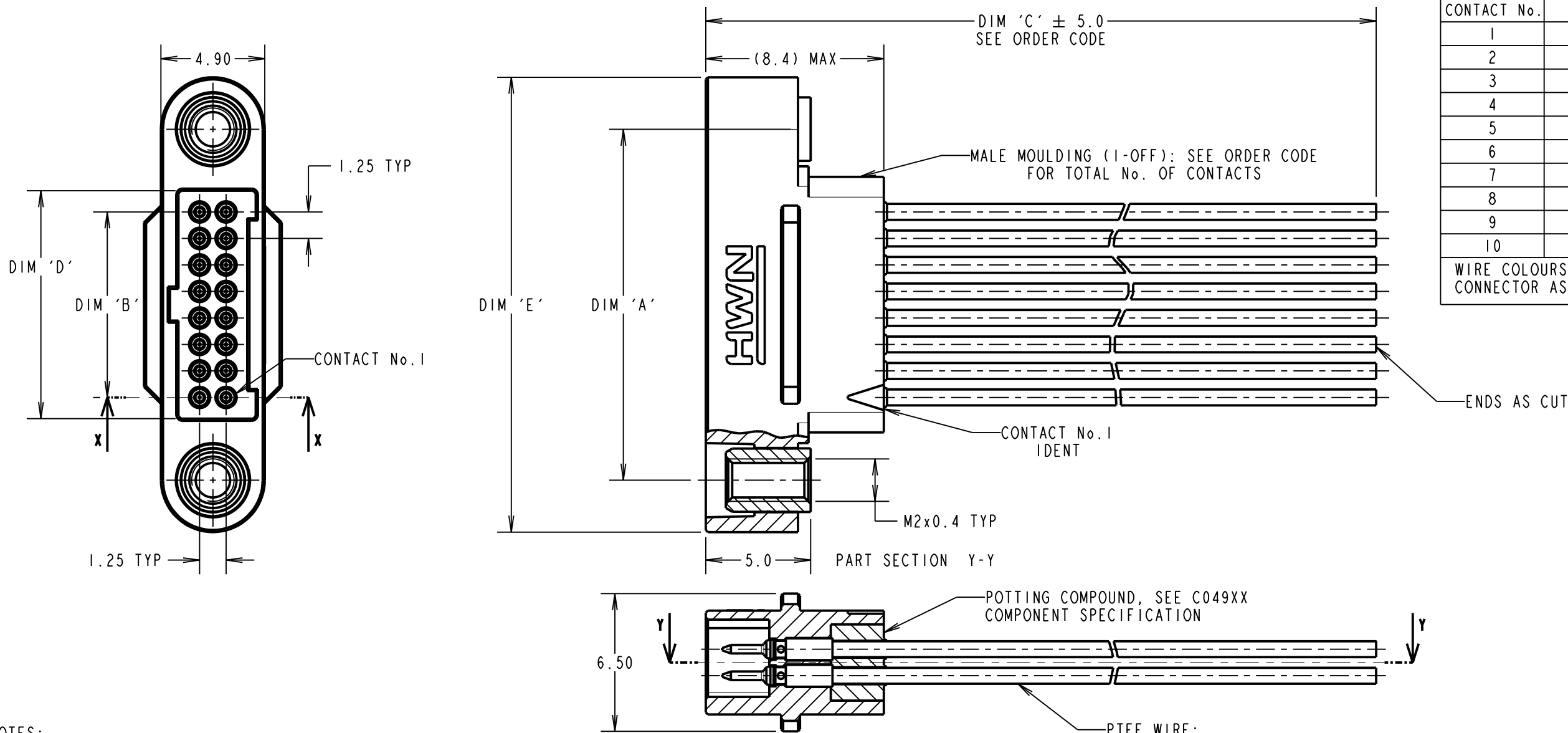
IF IN DOUBT - ASK

©

NOT TO SCALE

THIRD ANGLE PROJECTION

ALL DIMENSIONS IN mm



CONTACT No.	WIRE COLOUR
1	BLACK
2	BROWN
3	RED
4	ORANGE
5	YELLOW
6	GREEN
7	BLUE
8	VIOLET
9	GREY
10	WHITE

WIRE COLOURS REPEAT IN ABOVE ORDER FOR CONNECTOR ASSEMBLIES OVER 10 CONTACTS.

- NOTES:
- CABLE ASSEMBLIES WILL BE PACKED IN BAGS OF 10.
  - CUSTOM LENGTH CABLE ASSEMBLIES CAN BE PRODUCED FROM 60mm TO 9999mm. CONTACT OUR CABLE TEAM ON CABLES@HARWIN.COM.
  - FOR COMPLETE SPECIFICATION SEE COMPONENT SPECIFICATIONS C049XX AND C125XX (LATEST ISSUES).

DIMENSION	MEASUREMENT
DIM 'A'	(TOTAL No. OF CONTACTS - 2) x 0.625 + 7.80
DIM 'B'	(TOTAL No. OF CONTACTS - 2) x 0.625 ± 0.20
DIM 'D'	(TOTAL No. OF CONTACTS - 2) x 0.625 + 2.00
DIM 'E'	(TOTAL No. OF CONTACTS - 2) x 0.625 + 12.7



**ORDER CODE:**  
**G125-MCXXX68MI-XXXXL**

26 AWG = 1  
 28 AWG = 2

TOTAL No. OF CONTACTS:  
 06, 10, 12, 16,  
 20, 26, 34, 50

DIM 'C' LENGTH:  
 0060 = 60mm MIN  
 9999 = 9999mm MAX

STOCKED LENGTHS:  
 0150 = 150mm  
 0300 = 300mm  
 0450 = 450mm

RTP	ISS.	DATE	C/NOTE
1		25.07.19	22032

APPROVED: R.PORTLOCK  
 CHECKED: S.BENNETT  
 DRAWN: R.PORTLOCK  
 CUSTOMER REF.:  
 ASSEMBLY DRG:

EXAMPLE PART No.  
 12 CONTACT CONNECTOR WITH 150mm OF 26AWG WIRE =  
 G125-MC11268MI-0150L  
 50 CONTACT CONNECTOR WITH 450mm OF 28AWG WIRE =  
 G125-MC25068MI-0450L

 www.harwin.com technical@harwin.com	THIS DRAWING AND ANY INFORMATION OR DESCRIPTIVE MATTER SET OUT HEREON ARE CONFIDENTIAL AND COPYRIGHT PROPERTY OF THE HARWIN GROUP AND MUST NOT BE DISCLOSED, LOANED, COPIED OR USED FOR MANUFACTURING, TENDERING OR FOR ANY OTHER PURPOSE WITHOUT THEIR WRITTEN PERMISSION.	TOLERANCES	MATERIAL:	TITLE:
		X. = ±1mm X.X = ±0.50mm X.XX = ±0.20mm X.XXX = ±0.01mm ANGLES = ±5° UNLESS STATED	SEE ABOVE	GECKO SL MALE CRIMP CONNECTOR WITH PIGTAIL DRAWING NUMBER: <b>G125-MCXXX68MI-XXXXL</b>
		FINISH: SEE ABOVE	S/AREA: mm <sup>2</sup>	SHT 2 OF 2