

Customer Information Sheet

DRAWING No.: G125-MCXXX05M2-XXXXL

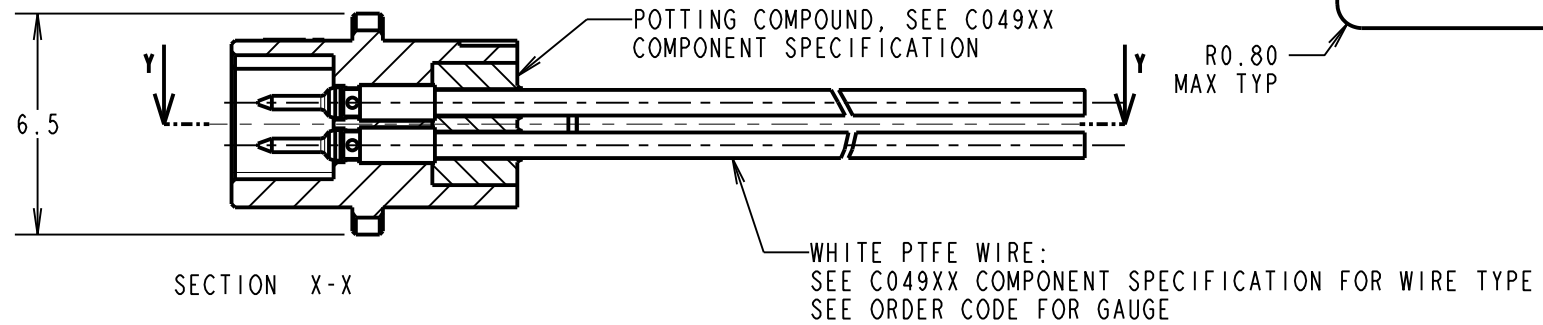
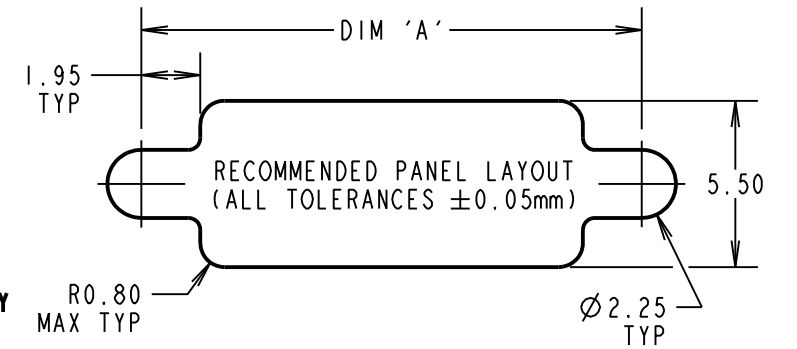
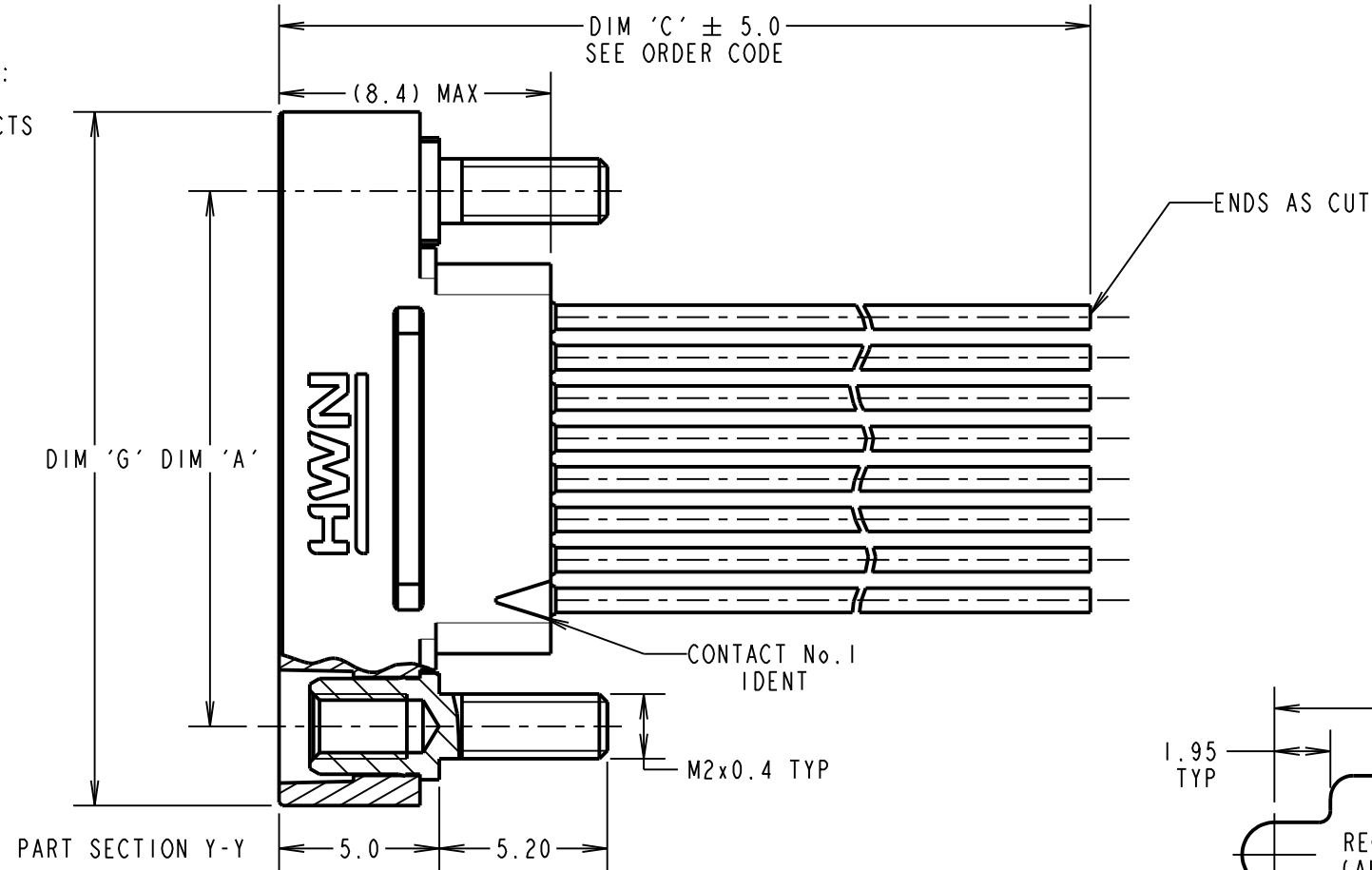
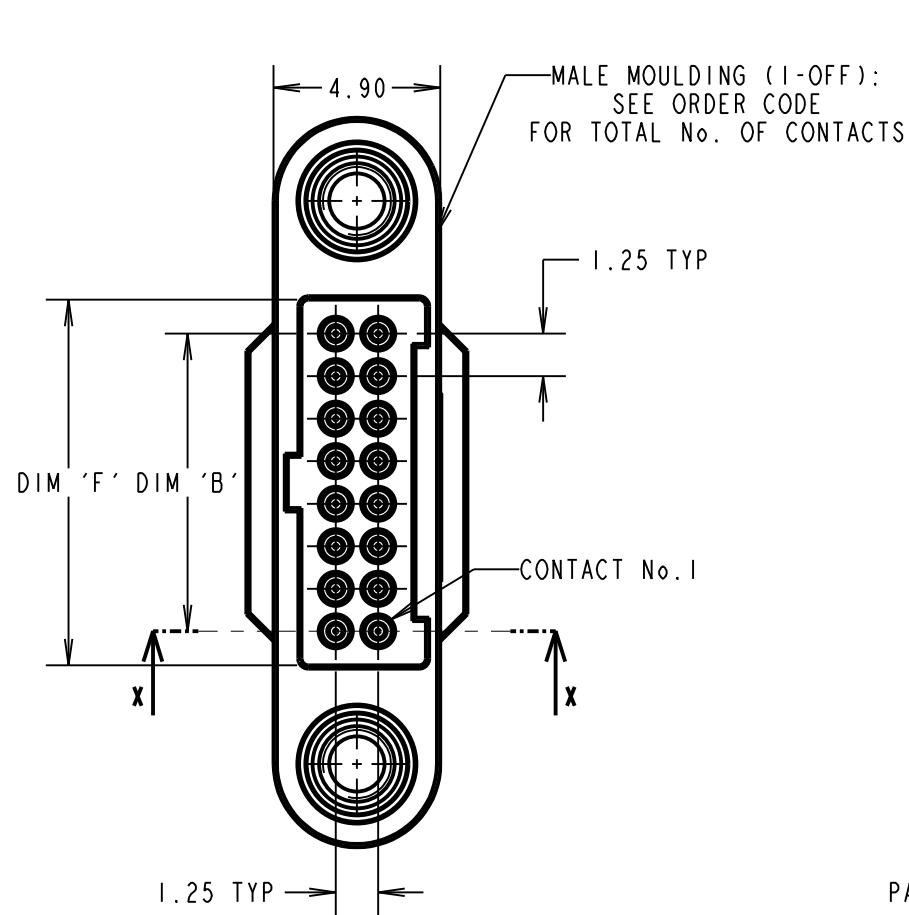
IF IN DOUBT - ASK

©

NOT TO SCALE

THIRD ANGLE PROJECTION

ALL DIMENSIONS IN mm



- NOTES:
- CABLE ASSEMBLIES WILL BE BULK PACKED IN BAGS.
 - CUSTOM LENGTH CABLE ASSEMBLIES CAN BE PRODUCED FROM 60mm TO 9999mm.
 - FOR COMPLETE SPECIFICATION SEE COMPONENT SPECIFICATIONS C049XX AND C125XX (LATEST ISSUES).
 - METAL HOODS ARE AVAILABLE FOR THIS RANGE. SEE WWW.HARWIN.COM FOR DETAILS.
 - FOR PANEL MOUNT NUTS ORDER SEPARATELY, PART NUMBER:
G125-4510000B ROUND SLOTTED NUT - BAG OF 12.
(G125-4500000B HEXAGONAL THIN NUT IS NOT SUITABLE).

DIMENSION	MEASUREMENT
DIM 'A'	(TOTAL No. OF CONTACTS - 2) x 0.625 + 7.80
DIM 'B'	(TOTAL No. OF CONTACTS - 2) x 0.625 ±0.20
DIM 'F'	(TOTAL No. OF CONTACTS - 2) x 0.625 + 2.00
DIM 'G'	(TOTAL No. OF CONTACTS - 2) x 0.625 + 12.7

EXAMPLE PART No.
12 CONTACT CONNECTOR WITH 150mm OF 26AWG WIRE =
G125-MC11205M2-0150L
50 CONTACT CONNECTOR WITH 450mm OF 28AWG WIRE =
G125-MC25005M2-0450L



PATENTED TECHNOLOGY

ORDER CODE:

G125-MCXXX05M2-XXXXL

26 AWG = 1
28 AWG = 2

DIM 'C' LENGTH:
0060 = 60mm MIN
9999 = 9999mm MAX

TOTAL No. OF CONTACTS:
06, 10, 12, 16,
20, 26, 34, 50

RTP	1	26.04.21	30505
NAME	ISS.	DATE	CN/CO
APPROVED: R.PORTLOCK			
CHECKED: R.ALEXANDER			
DRAWN: R.PORTLOCK			
CUSTOMER REF.:			
ASSEMBLY DRG:			

HARWIN

www.harwin.com
technical@harwin.com

THIS DRAWING AND ANY
INFORMATION OR DESCRIPTIVE
MATTER SET OUT HEREON ARE
CONFIDENTIAL AND COPYRIGHT
PROPERTY OF THE HARWIN
GROUP AND MUST NOT BE
DISCLOSED, LOANED, COPIED
OR USED FOR MANUFACTURING,
TENDERING OR FOR ANY
OTHER PURPOSE WITHOUT
THEIR WRITTEN PERMISSION.

TOLERANCES

X. = ±1mm
X.X = ±0.50mm
X.XX = ±0.20mm
X.XXX = ±0.01mm
ANGLES = ±5°
UNLESS STATED

MATERIAL:

SEE ABOVE

FINISH:

SEE ABOVE

S/AREA:

mm²

TITLE:

GECKO SL MALE CRIMP
CONNECTOR WITH PIGTAIL

DRAWING NUMBER:

G125-MCXXX05M2-XXXXL

SHT
2
OF
2