

# Customer Information Sheet

DRAWING No.: G125-MCX08M3-2D2D-XXXXL

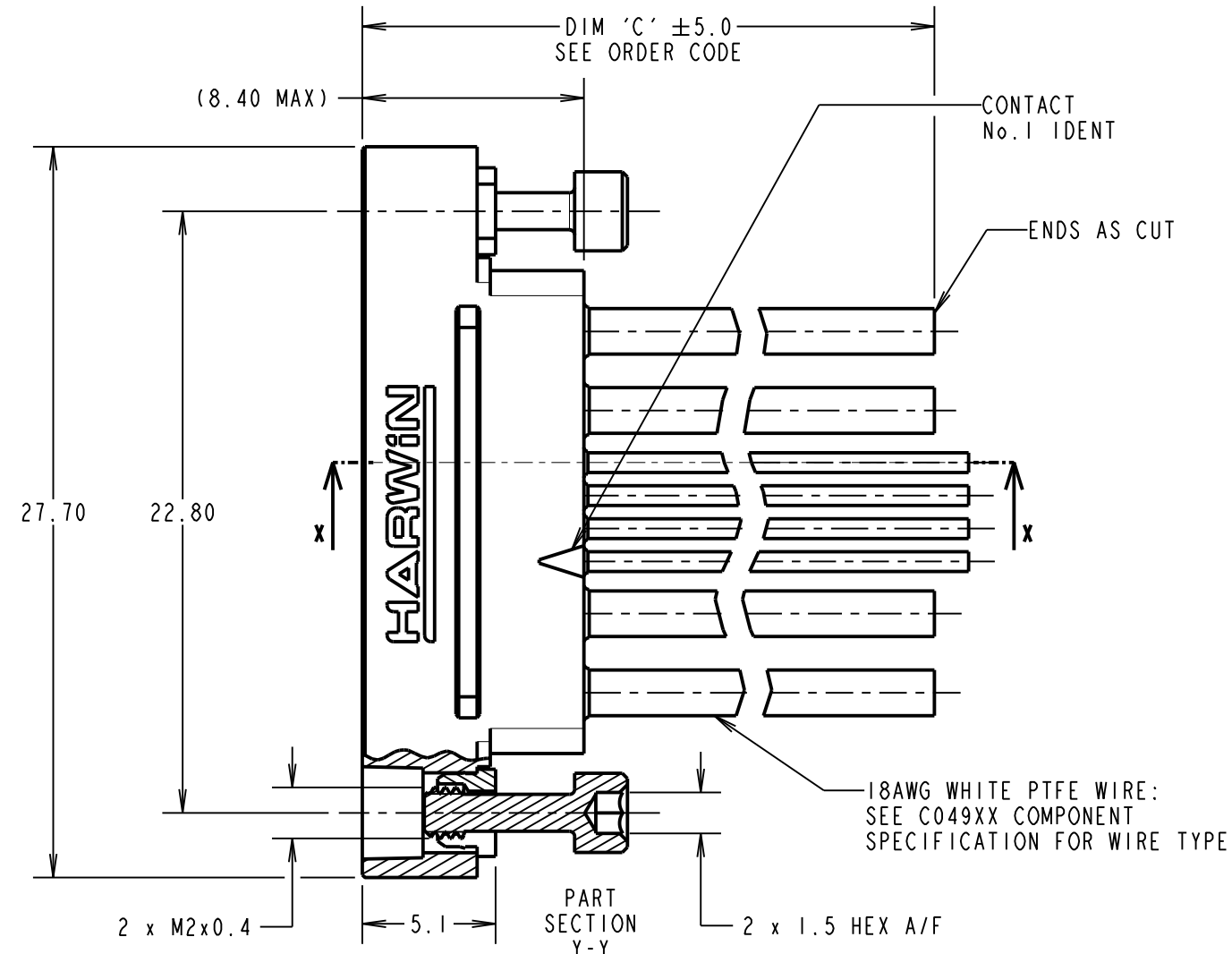
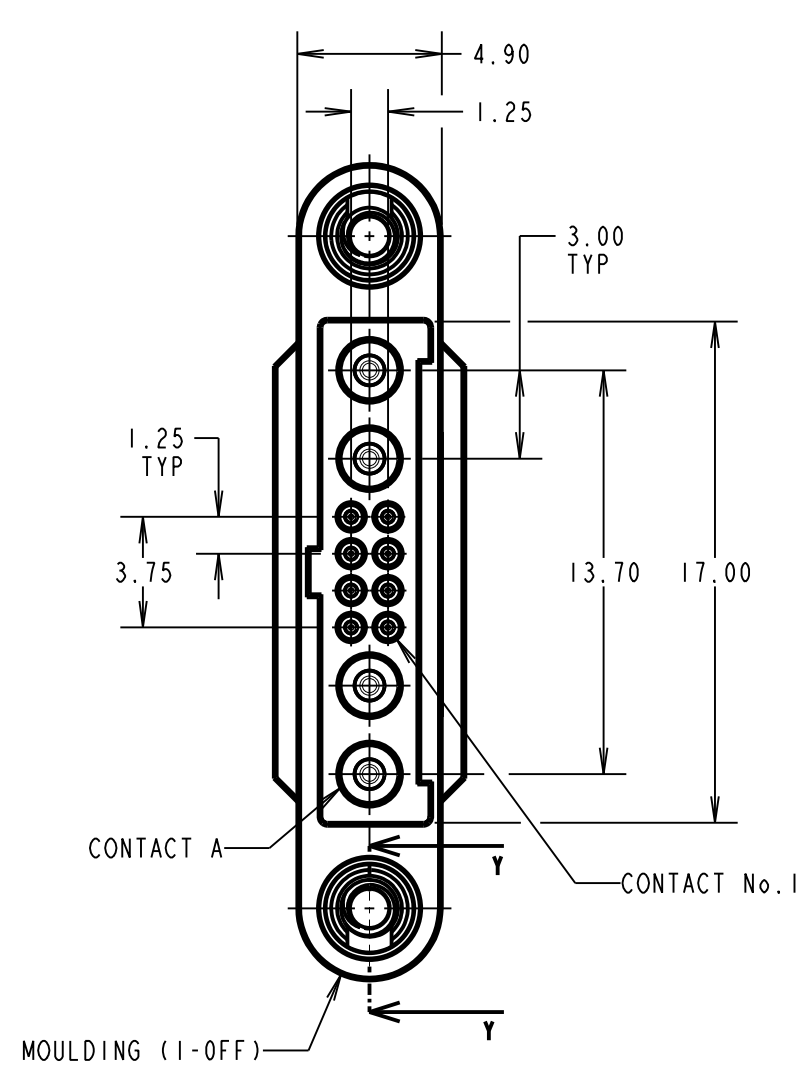
IF IN DOUBT - ASK

©

NOT TO SCALE

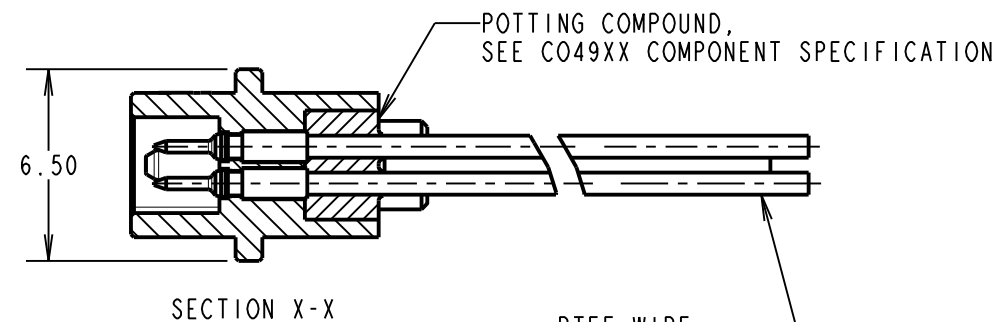
THIRD ANGLE PROJECTION

ALL DIMENSIONS IN mm



CONTACT No.	WIRE COLOUR
1	BLACK
2	BROWN
3	RED
4	ORANGE
5	YELLOW
6	GREEN
7	BLUE
8	VIOLET
9	GREY
10	WHITE

WIRE COLOURS REPEAT IN ABOVE ORDER FOR CONNECTOR ASSEMBLIES OVER 10 CONTACTS.



PTFE WIRE: SEE C049XX COMPONENT SPECIFICATION FOR WIRE TYPE  
SEE ORDER CODE FOR WIRE GAUGE  
SEE TABLE FOR WIRE COLOUR

NOTES:

- CABLE ASSEMBLIES ARE BULK PACKED IN BAGS.
- FOR COMPLETE SPECIFICATION, SEE COMPONENT SPECIFICATIONS C049XX AND C125XX (LATEST ISSUES).

RTP	4	02.09.21	30822
NAME	ISS.	DATE	CN/CO
APPROVED:		R.PORTLOCK	
CHECKED:		R.ALEXANDER	
DRAWN:		R.PORTLOCK	
CUSTOMER REF.:			
ASSEMBLY DRG:			

ORDER CODE:

G125-MCX08M3-2D2D-XXXXL

WIRE GAUGE:  
1 = 26AWG  
2 = 28AWG

DIM 'C' LENGTH:  
0060 = 60mm MIN  
9999 = 9999mm MAX

**HARWIN**

www.harwin.com  
technical@harwin.com

THIS DRAWING AND ANY INFORMATION OR DESCRIPTIVE MATTER SET OUT HEREON ARE CONFIDENTIAL AND COPYRIGHT PROPERTY OF THE HARWIN GROUP AND MUST NOT BE DISCLOSED, LOANED, COPIED OR USED FOR MANUFACTURING, TENDERING OR FOR ANY OTHER PURPOSE WITHOUT THEIR WRITTEN PERMISSION.

TOLERANCES  
X. = ±1mm  
X.X = ±0.50mm  
X.XX = ±0.20mm  
X.XXX = ±0.01mm  
ANGLES = ±5°  
UNLESS STATED

MATERIAL:  
SEE ABOVE  
FINISH: SEE ABOVE  
S/AREA: mm<sup>2</sup>

TITLE:  
GECKO MT MALE  
CABLE ASSEMBLY

DRAWING NUMBER:  
G125-MCX08M3-2D2D-XXXXL

SHT  
2 OF 2