

# Customer Information Sheet

DRAWING No.: G125-MCX08M3-2D2D-XXXXF2

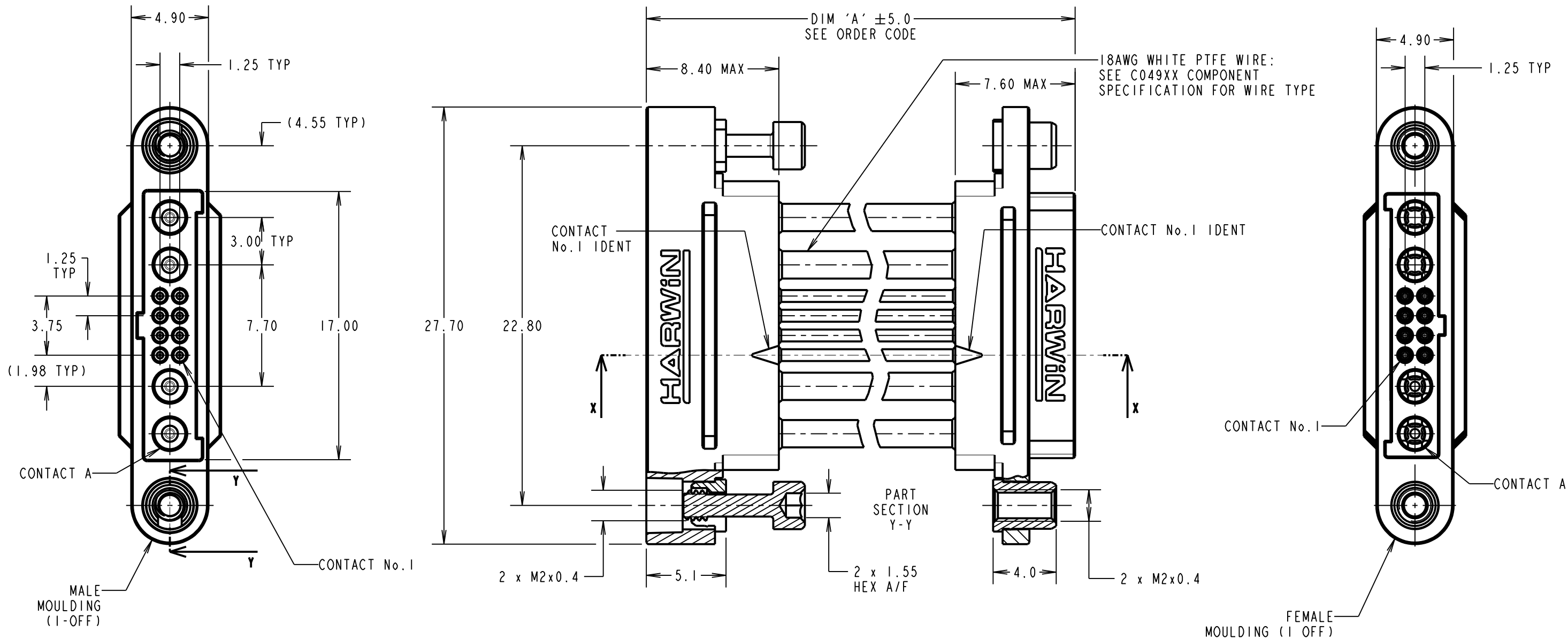
IF IN DOUBT - ASK

©

NOT TO SCALE

THIRD ANGLE PROJECTION

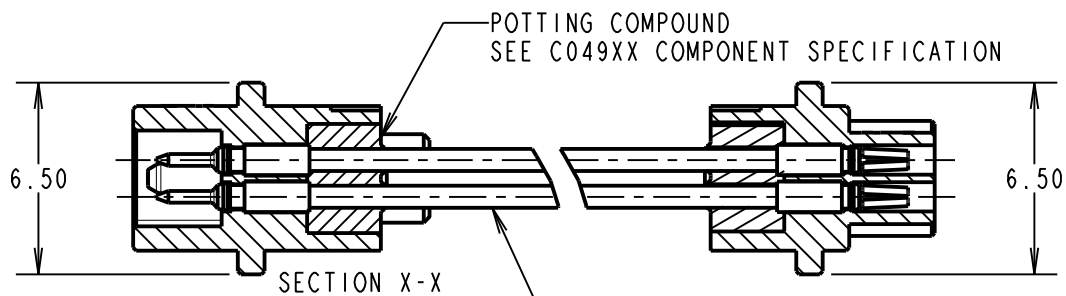
ALL DIMENSIONS IN mm



- NOTES:
- CABLE ASSEMBLIES ARE BULK PACKED IN BAGS.
  - FOR COMPLETE SPECIFICATION, SEE COMPONENT SPECIFICATIONS C049XX AND C125XX (LATEST ISSUES).
  - WIRING OF CONNECTOR:  
CONTACT A TO CONTACT A,  
CONTACT 1 TO CONTACT 1,  
CONTACT 2 TO CONTACT 2, ETC.

**ORDER CODE:**  
**G125-MCX08M3-2D2D-XXXXF2**

26 AWG = 1      DIM 'A' LENGTH:  
28 AWG = 2      0060 = 60mm MIN  
                         9999 = 9999mm MAX



WHITE PTFE WIRE:  
SEE C049XX COMPONENT SPECIFICATION FOR WIRE TYPE  
SEE ORDER CODE FOR WIRE GAUGE

RTP	2	25.02.21	30101
NAME	ISS.	DATE	CN/CO
APPROVED:		R.PORTLOCK	
CHECKED:		R.ALEXANDER	
DRAWN:		R.PORTLOCK	
CUSTOMER REF.:			
ASSEMBLY DRG:			

**HARWIN**

www.harwin.com  
technical@harwin.com

THIS DRAWING AND ANY INFORMATION OR DESCRIPTIVE MATTER SET OUT HEREON ARE CONFIDENTIAL AND COPYRIGHT PROPERTY OF THE HARWIN GROUP AND MUST NOT BE DISCLOSED, LOANED, COPIED OR USED FOR MANUFACTURING, TENDERING OR FOR ANY OTHER PURPOSE WITHOUT THEIR WRITTEN PERMISSION.

TOLERANCES  
X. =  $\pm 1$ mm  
X.X =  $\pm 0.50$ mm  
X.XX =  $\pm 0.20$ mm  
X.XXX =  $\pm 0.01$ mm  
ANGLES =  $\pm 5^\circ$   
UNLESS STATED

MATERIAL:  
SEE ABOVE  
FINISH: SEE ABOVE  
S/AREA: mm<sup>2</sup>

TITLE:  
GECKO MT MALE TO FEMALE CABLE ASSEMBLY

DRAWING NUMBER:  
**G125-MCX08M3-2D2D-XXXXF2**

SHT  
3  
OF  
3