

Customer Information Sheet

DRAWING No.: G125-MCX08M3-IDID-XXXXM3

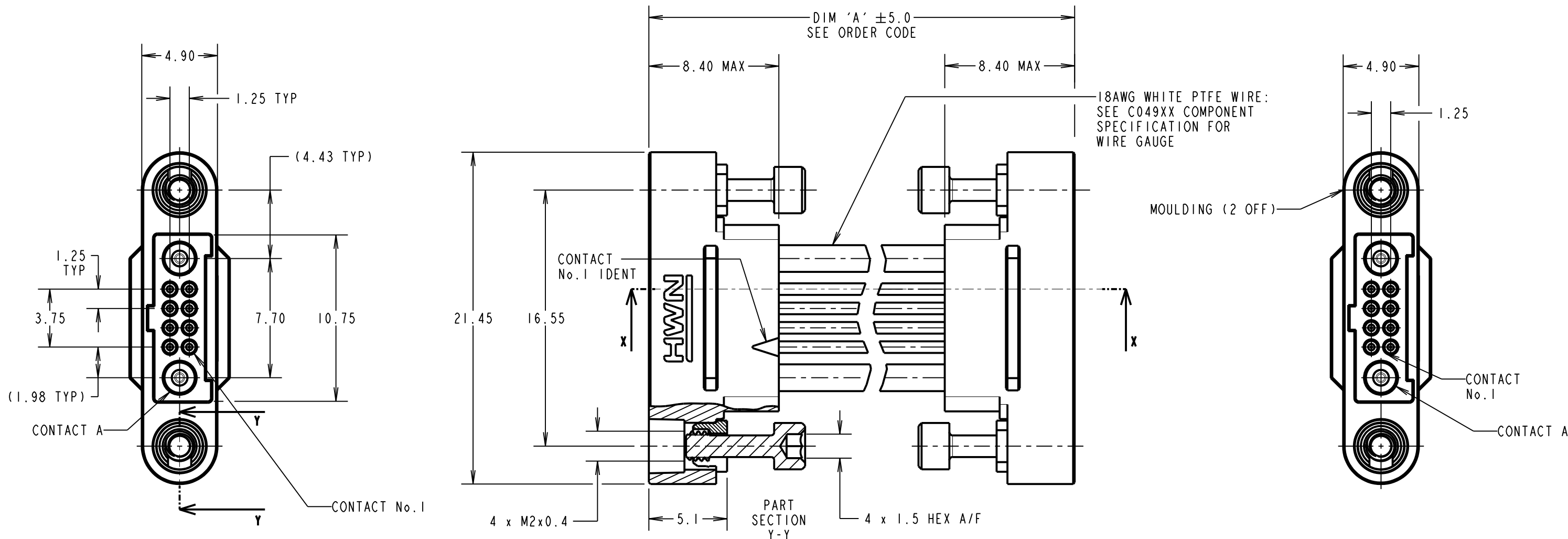
IF IN DOUBT - ASK

©

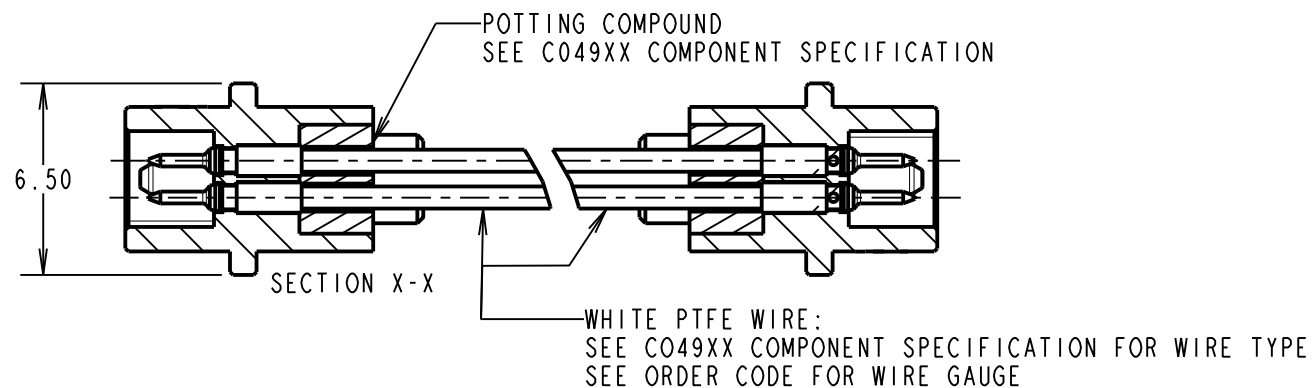
NOT TO SCALE

THIRD ANGLE PROJECTION

ALL DIMENSIONS IN mm



- NOTES:
1. CABLE ASSEMBLIES ARE BULK PACKED IN BAGS.
 2. FOR COMPLETE SPECIFICATION, SEE COMPONENT SPECIFICATIONS C049XX AND C125XX (LATEST ISSUES).
 3. WIRING OF CONNECTOR:
CONTACT A TO CONTACT A,
CONTACT 1 TO CONTACT 1,
CONTACT 2 TO CONTACT 2, ETC.



ORDER CODE:

G125-MCX08M3-IDID-XXXXM3

26 AWG = 1 DIM 'A' LENGTH:
28 AWG = 2 0060 = 60mm MIN
 9999 = 9999mm MAX

HARWIN

www.harwin.com
technical@harwin.com

THIS DRAWING AND ANY INFORMATION OR DESCRIPTIVE MATTER SET OUT HEREON ARE CONFIDENTIAL AND COPYRIGHT PROPERTY OF THE HARWIN GROUP AND MUST NOT BE DISCLOSED, LOANED, COPIED OR USED FOR MANUFACTURING, TENDERING OR FOR ANY OTHER PURPOSE WITHOUT THEIR WRITTEN PERMISSION.

TOLERANCES
X. = ±1mm
X.X = ±0.50mm
X.XX = ±0.20mm
X.XXX = ±0.01mm
ANGLES = ±5°
UNLESS STATED

MATERIAL: SEE ABOVE
FINISH: SEE ABOVE
S/AREA: mm²

TITLE: GECKO MT MALE TO MALE CABLE ASSEMBLY

DRAWING NUMBER: **G125-MCX08M3-IDID-XXXXM3**

RTP	2	25.02.21	30101
NAME	ISS.	DATE	CN/CO
APPROVED:		R.PORTLOCK	
CHECKED:		R.ALEXANDER	
DRAWN:		R.PORTLOCK	
CUSTOMER REF.:			
ASSEMBLY DRG:			