

Customer Information Sheet

DRAWING No.: G125-MCX08MI-IDID-XXXXMI

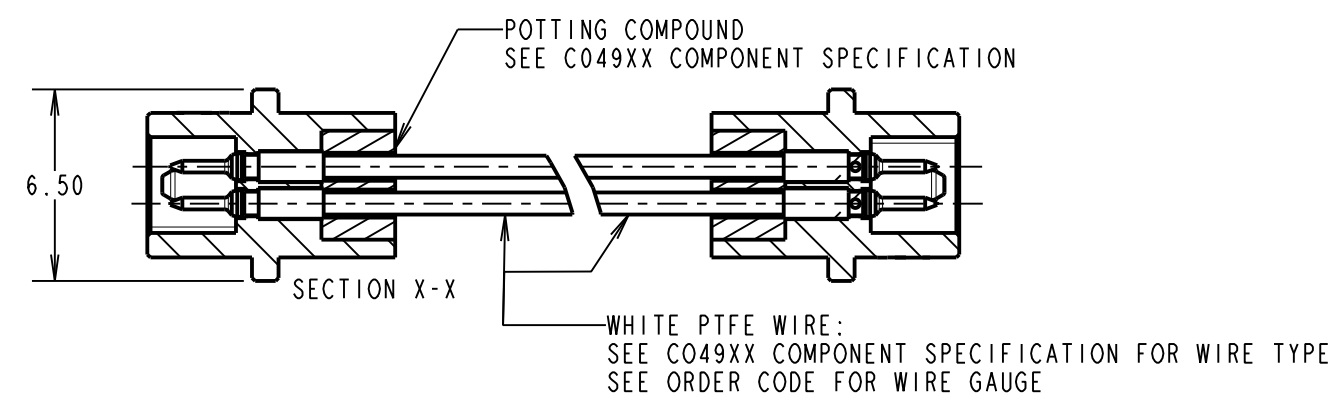
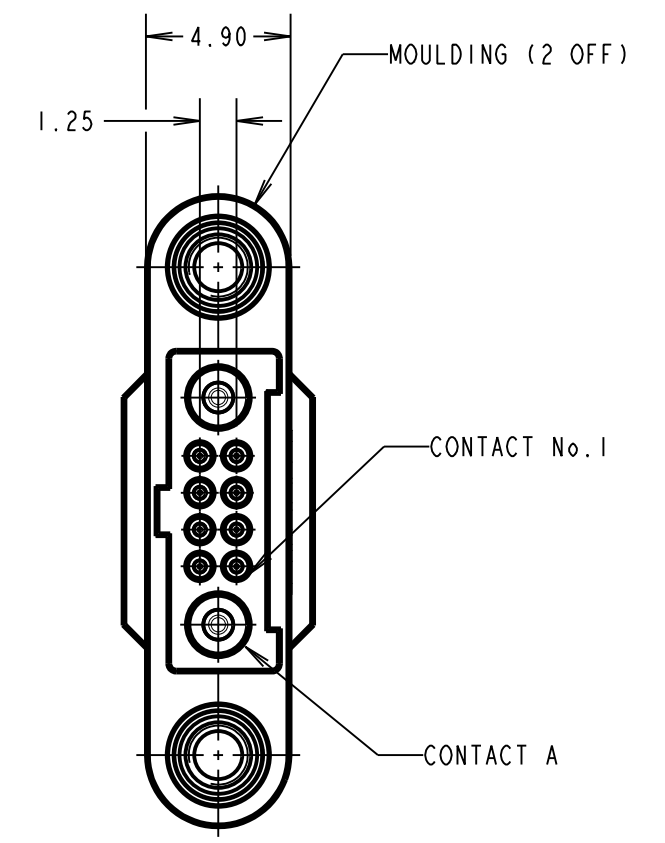
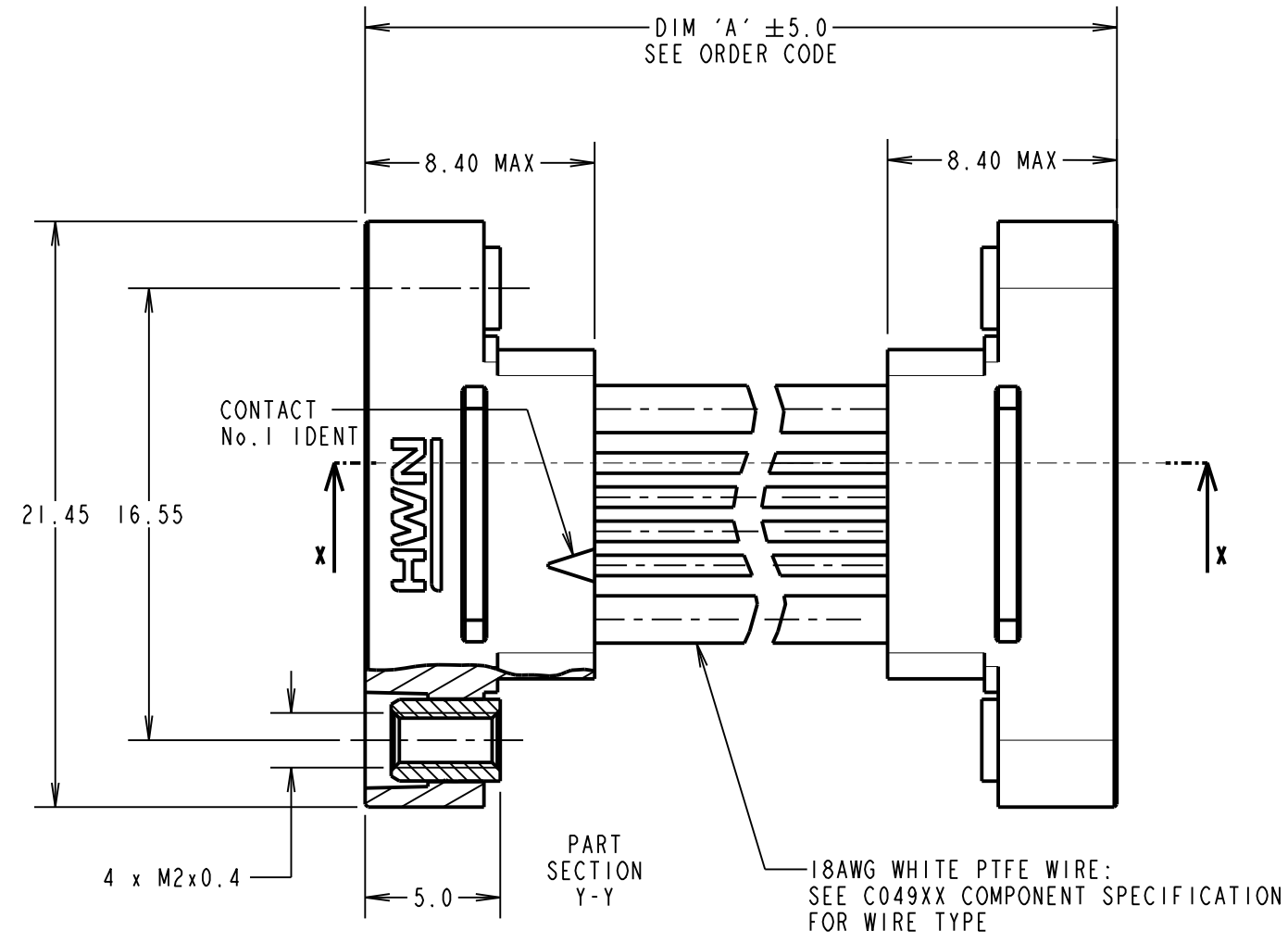
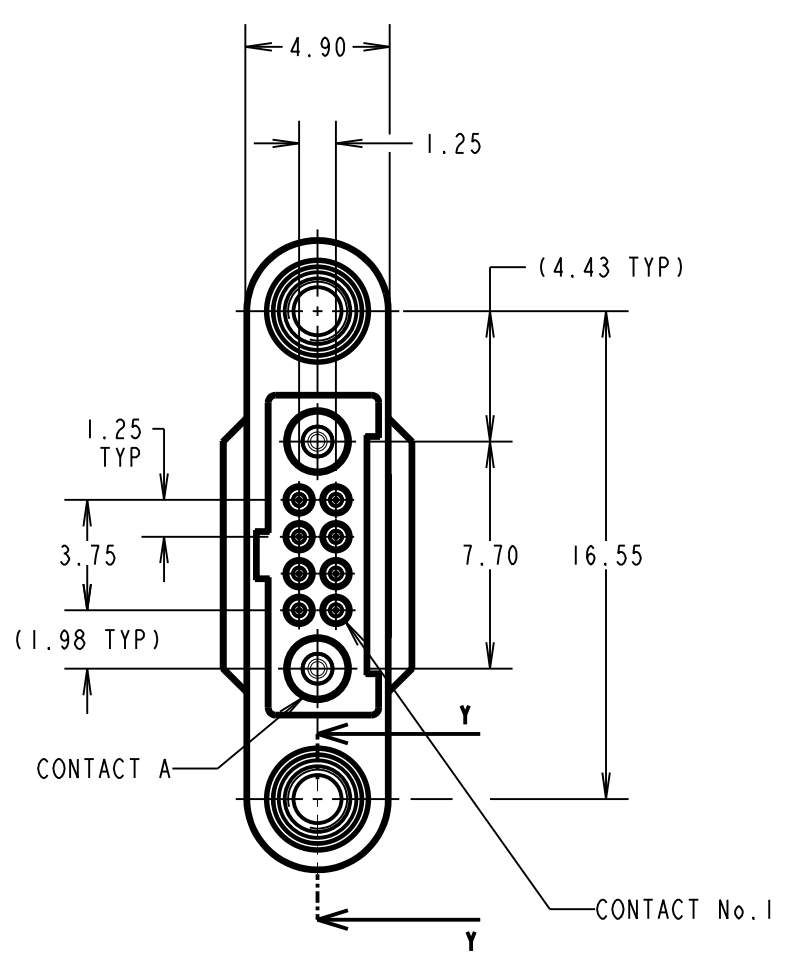
IF IN DOUBT - ASK

©

NOT TO SCALE

THIRD ANGLE PROJECTION

ALL DIMENSIONS IN mm



- NOTES:
- CABLE ASSEMBLIES ARE BULK PACKED IN BAGS.
 - FOR COMPLETE SPECIFICATION, SEE COMPONENT SPECIFICATIONS C049XX AND C125XX (LATEST ISSUES).
 - WIRING OF CONNECTOR:
CONTACT A TO CONTACT A,
CONTACT 1 TO CONTACT 1,
CONTACT 2 TO CONTACT 2, ETC.

ORDER CODE:
G125-MCX08MI-IDID-XXXXMI

26 AWG = 1 DIM 'A' LENGTH:
 28 AWG = 2 0060 = 60mm MIN
 9999 = 9999mm MAX

RTP	2	04.02.21	30101
NAME	ISS.	DATE	CN/CO
APPROVED: R.PORTLOCK			
CHECKED: M.RUDKIN			
DRAWN: R.PORTLOCK			
CUSTOMER REF.:			
ASSEMBLY DRG:			

 www.harwin.com technical@harwin.com	THIS DRAWING AND ANY INFORMATION OR DESCRIPTIVE MATTER SET OUT HEREON ARE CONFIDENTIAL AND COPYRIGHT PROPERTY OF THE HARWIN GROUP AND MUST NOT BE DISCLOSED, LOANED, COPIED OR USED FOR MANUFACTURING, TENDERING OR FOR ANY OTHER PURPOSE WITHOUT THEIR WRITTEN PERMISSION.	TOLERANCES X. = ±1mm X.X = ±0.50mm X.XX = ±0.20mm X.XXX = ±0.01mm ANGLES = ±5° UNLESS STATED	MATERIAL: SEE ABOVE	TITLE: GECKO MT MALE TO MALE CABLE ASSEMBLY
			FINISH: SEE ABOVE	DRAWING NUMBER: G125-MCX08MI-IDID-XXXXMI
			S/AREA: mm ²	