

# Customer Information Sheet

DRAWING No.: G125-MCX08MI-IDID-XXXXF1

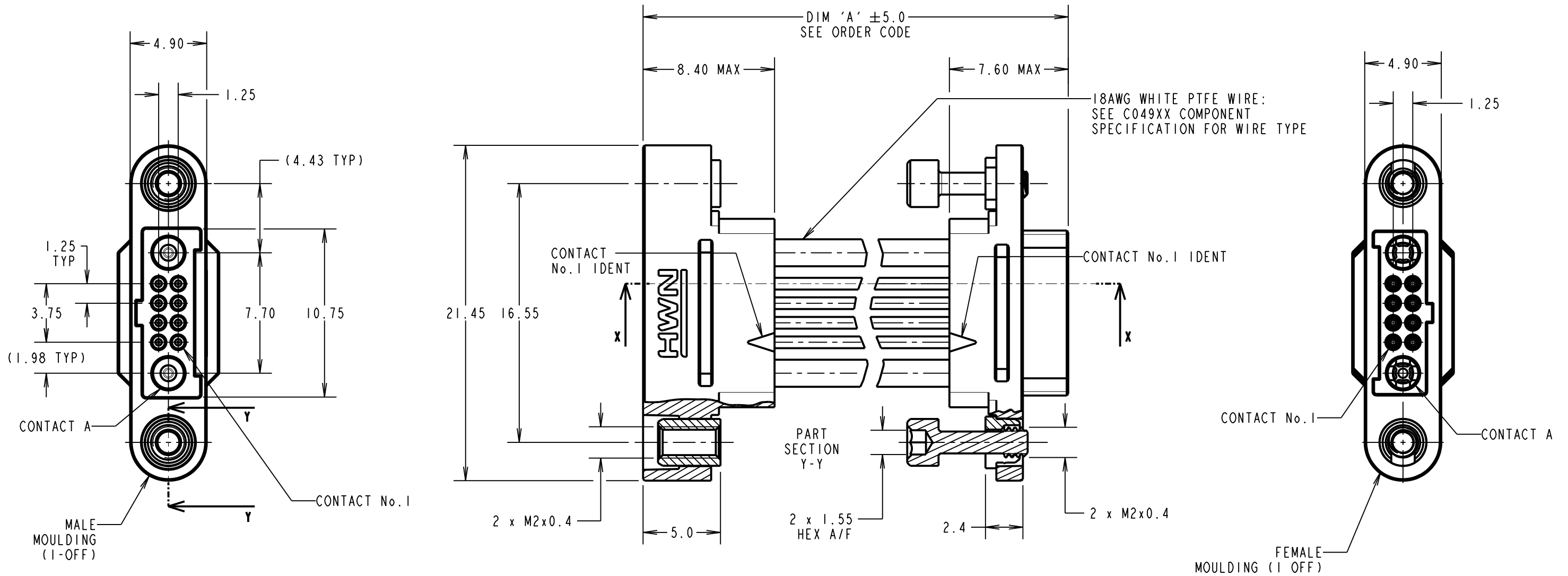
IF IN DOUBT - ASK

©

NOT TO SCALE

THIRD ANGLE PROJECTION

ALL DIMENSIONS IN mm



- NOTES:
- CABLE ASSEMBLIES ARE BULK PACKED IN BAGS.
  - FOR COMPLETE SPECIFICATION, SEE COMPONENT SPECIFICATIONS C049XX AND C125XX (LATEST ISSUES).
  - WIRING OF CONNECTOR:  
CONTACT A TO CONTACT A,  
CONTACT 1 TO CONTACT 1,  
CONTACT 2 TO CONTACT 2, ETC.

**ORDER CODE:**  
**G125-MCX08MI-IDID-XXXXF1**

26 AWG = 1      DIM 'A' LENGTH:  
28 AWG = 2      0060 = 60mm MIN  
                         9999 = 9999mm MAX

RTP	2	04.02.21	30101
NAME	ISS.	DATE	CN/CO
APPROVED: R.PORTLOCK			
CHECKED: M.RUDKIN			
DRAWN: R.PORTLOCK			
CUSTOMER REF.:			
ASSEMBLY DRG:			

**HARWIN**

www.harwin.com  
technical@harwin.com

THIS DRAWING AND ANY INFORMATION OR DESCRIPTIVE MATTER SET OUT HEREON ARE CONFIDENTIAL AND COPYRIGHT PROPERTY OF THE HARWIN GROUP AND MUST NOT BE DISCLOSED, LOANED, COPIED OR USED FOR MANUFACTURING, TENDERING OR FOR ANY OTHER PURPOSE WITHOUT THEIR WRITTEN PERMISSION.

**TOLERANCES**  
X. = ±1mm  
X.X = ±0.50mm  
X.XX = ±0.20mm  
X.XXX = ±0.01mm  
ANGLES = ±5°  
UNLESS STATED

**MATERIAL:**  
SEE ABOVE  
**FINISH:** SEE ABOVE  
**S/AREA:** mm<sup>2</sup>

**TITLE:**  
GECKO MT MALE TO FEMALE CABLE ASSEMBLY

**DRAWING NUMBER:**  
**G125-MCX08MI-IDID-XXXXF1**

SHT  
3  
OF  
3