

Customer Information Sheet

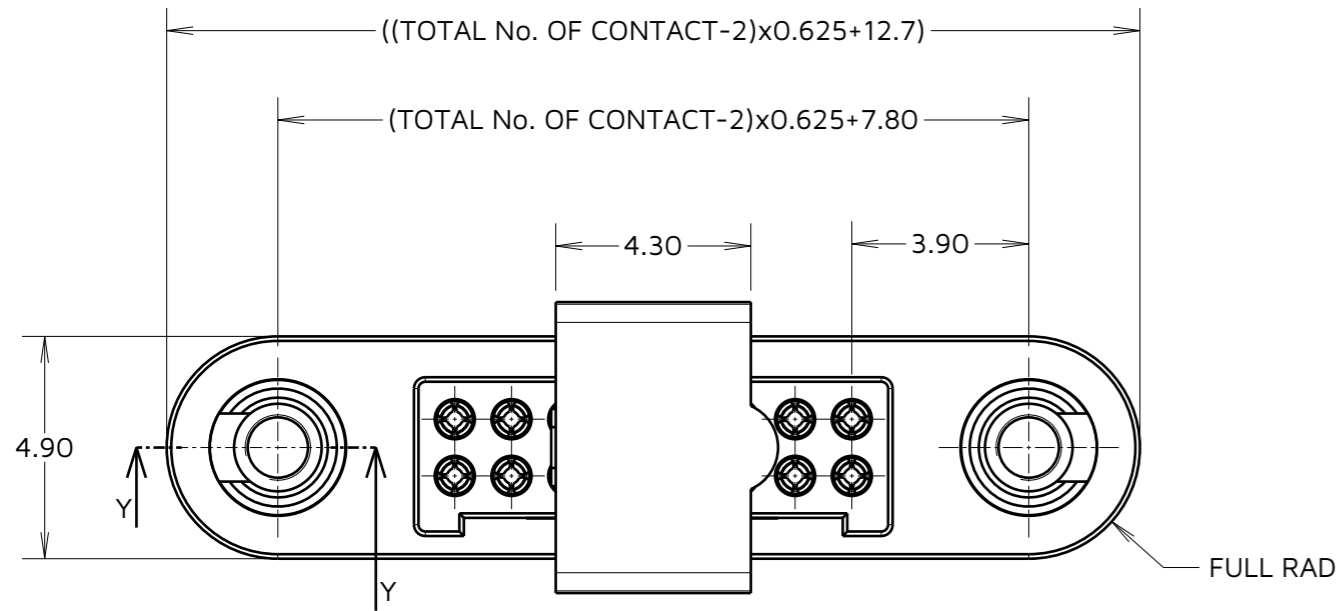
IF IN DOUBT - ASK

©

NOT TO SCALE

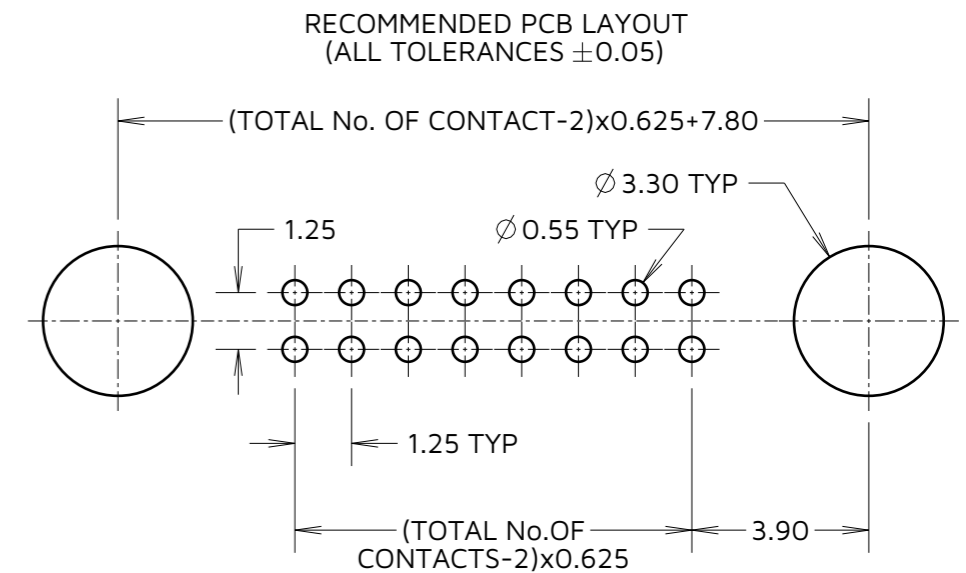
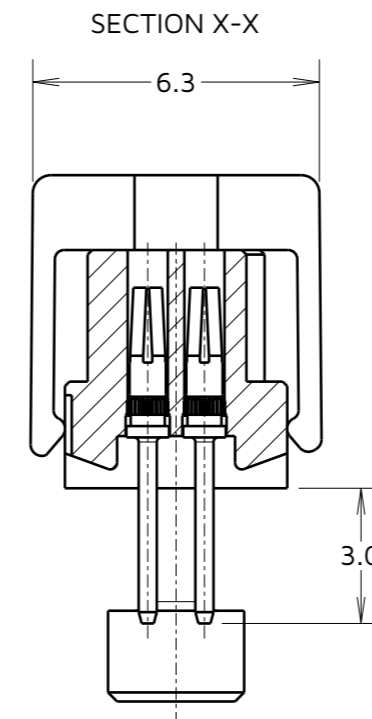
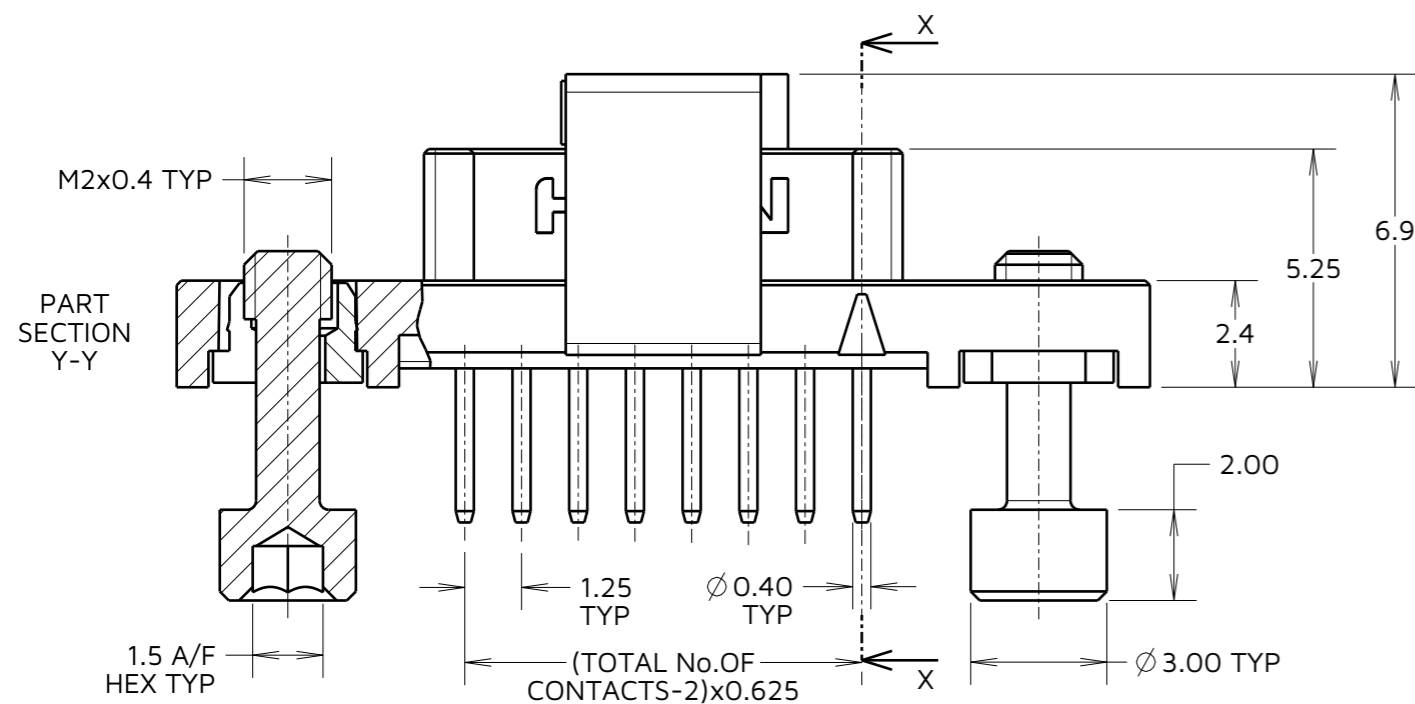
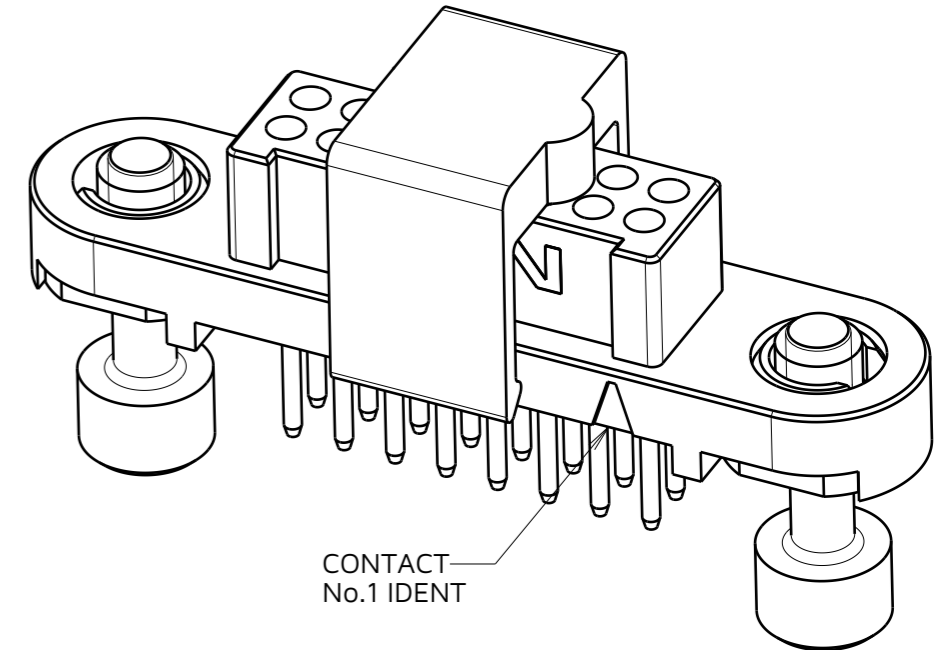
THIRD ANGLE PROJECTION

ALL DIMENSIONS IN mm



ORDER CODE:
G125-FV1XX05F1P

TOTAL No. OF CONTACTS:
06, 10, 12, 16, 20, 26, 34 & 50.



CONNECTOR AND PCB LAYOUT DETAILS ONLY.
SEE SHEET 6 FOR TAPE STRIP DETAILS.

NOTES:

- FOR MATERIALS, FINISH AND SPECIFICATIONS SEE COMPONENT SPECIFICATION C125XX (LATEST ISSUE) FOR FULL SPECIFICATION.
- DRAWING SHOWS CONNECTOR WITH 16 CONTACTS.

MGP	5	23.05.23	32485
NAME	ISS.	DATE	CN/CO
APPROVED: MGP			
CHECKED: RTP			
DRAWN: MARK G PLESTED			
ASSEMBLY DRG:			

HARWIN

www.harwin.com

TOLERANCES
X. = ± 1 mm
X.X = ± 0.50 mm
X.XX = ± 0.20 mm
X.XXX = ± 0.01 mm
ANGLES = $\pm 5^\circ$
UNLESS STATED

THIS DRAWING AND ANY INFORMATION OR DESCRIPTIVE MATTER SET OUT HEREON ARE CONFIDENTIAL AND COPYRIGHT PROPERTY OF THE HARWIN GROUP AND MUST NOT BE DISCLOSED, LOANED, COPIED OR USED FOR MANUFACTURING, TENDERING OR FOR ANY OTHER PURPOSE WITHOUT THEIR WRITTEN PERMISSION.

MATERIAL:
SEE ABOVE

TITLE:
GECKO SL SERIES FEMALE
VERTICAL PCT CONNECTOR

DRAWING NUMBER:
G125-FVXXX05F1P

SHT
5
OF
6

Customer Information Sheet

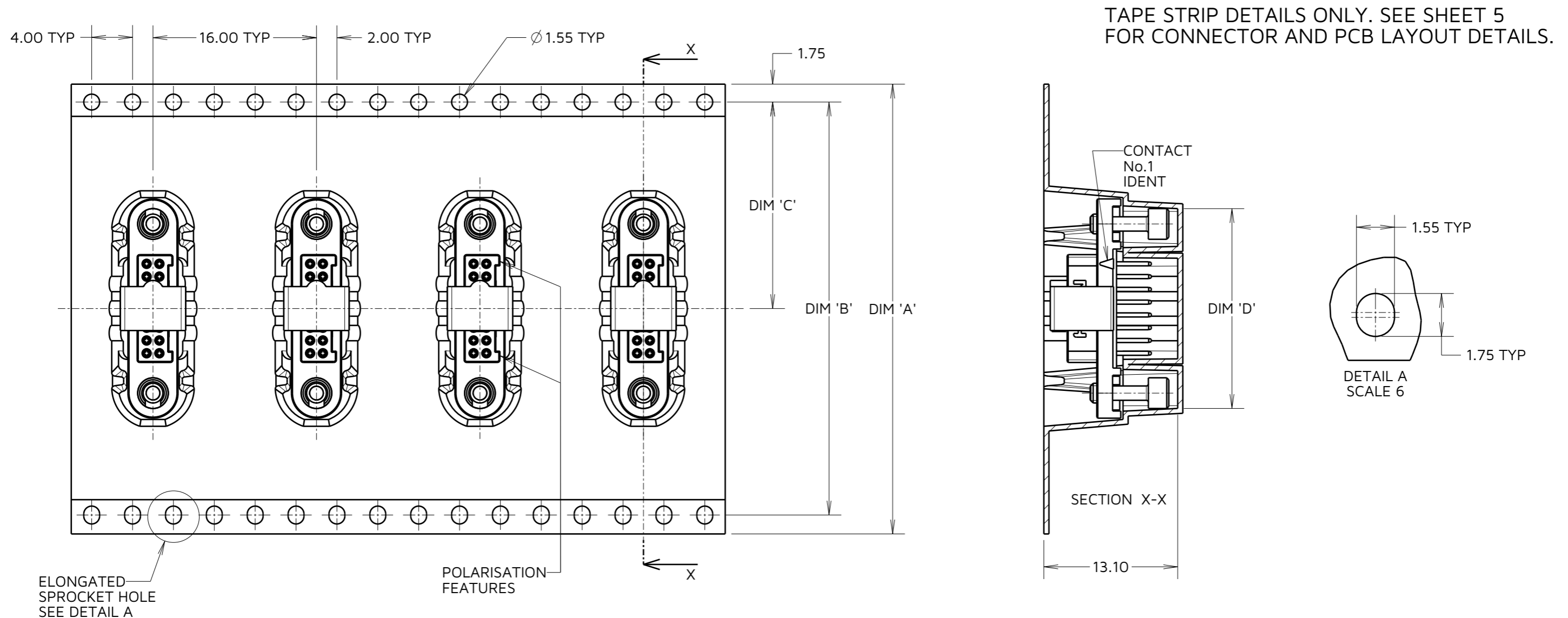
IF IN DOUBT - ASK

©

NOT TO SCALE

THIRD ANGLE PROJECTION

ALL DIMENSIONS IN mm



TAPE STRIP DETAILS ONLY. SEE SHEET 5 FOR CONNECTOR AND PCB LAYOUT DETAILS.

ORDER CODE:
G125-FV1XX05F1P

TOTAL No. OF CONTACTS:
06, 10, 12, 16, 20, 26, 34 & 50.

PART No.	DIM 'A'	DIM 'B'	DIM 'C'	DIM 'D'
G125-FV10605F1P				13.60±0.15
G125-FV11005F1P	32.0±0.3	28.40	14.20±0.15	16.10±0.15
G125-FV11205F1P				17.35±0.15
G125-FV11605F1P				19.85±0.15
G125-FV12005F1P	44.0±0.3	40.40	20.20±0.15	22.20±0.15
G125-FV12605F1P				26.00±0.15
G125-FV13405F1P	56.0±0.3	52.40	26.20±0.15	30.90±0.15
G125-FV15005F1P				41.00±0.15

MGP	5	23.05.23	32485
NAME	ISS.	DATE	CN/CO
APPROVED: MGP			
CHECKED: RTP			
DRAWN: MARK G PLESTED			
ASSEMBLY DRG:			

- NOTES:
- COMPONENTS ARE ORIENTATED IN TAPE POCKETS AS SHOWN.
 - COMPONENTS ARE SUPPLIED IN STRIPS OF TAPE WITH A QUANTITY OF 10 CONNECTORS PER STRIP.
 - LARGE QUANTITIES MAY BE SHIPPED ON A REEL AND MAY NOT HAVE A LEADER.
 - FOR PARTS ON REEL SUITABLE FOR AUTOMATIC MACHINE PLACEMENT PLEASE ORDER: G125-FVXXX05F1R.

HARWIN

www.harwin.com

TOLERANCES
 X. = ±1mm
 X.X = ±0.50mm
 X.XX = ±0.20mm
 X.XXX = ±0.01mm
 ANGLES = ±5°
 UNLESS STATED

THIS DRAWING AND ANY INFORMATION OR DESCRIPTIVE MATTER SET OUT HEREON ARE CONFIDENTIAL AND COPYRIGHT PROPERTY OF THE HARWIN GROUP AND MUST NOT BE DISCLOSED, LOANED, COPIED OR USED FOR MANUFACTURING, TENDERING OR FOR ANY OTHER PURPOSE WITHOUT THEIR WRITTEN PERMISSION.

MATERIAL:
SEE SHEET 5

TITLE:
GECKO SL SERIES FEMALE VERTICAL PCT CONNECTOR

DRAWING NUMBER:
G125-FVXXX05F1P

SHT
6 OF 6