

Customer Information Sheet

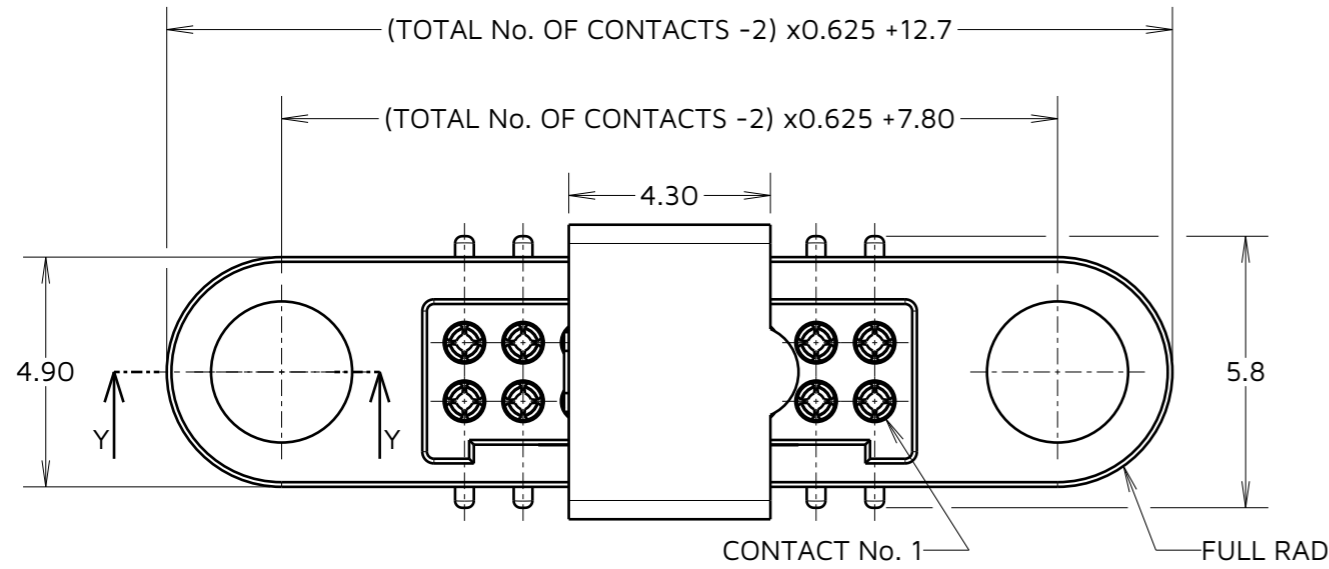
IF IN DOUBT - ASK



NOT TO SCALE

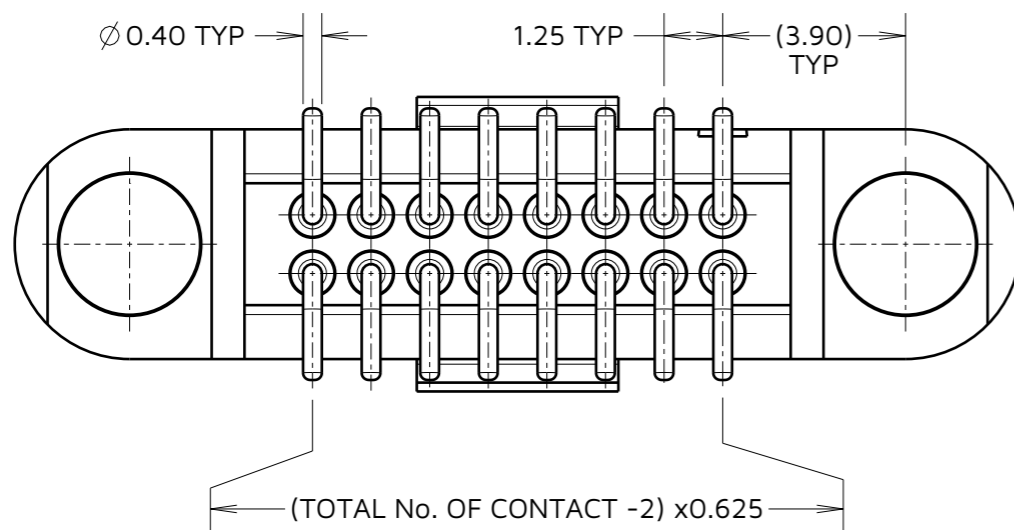
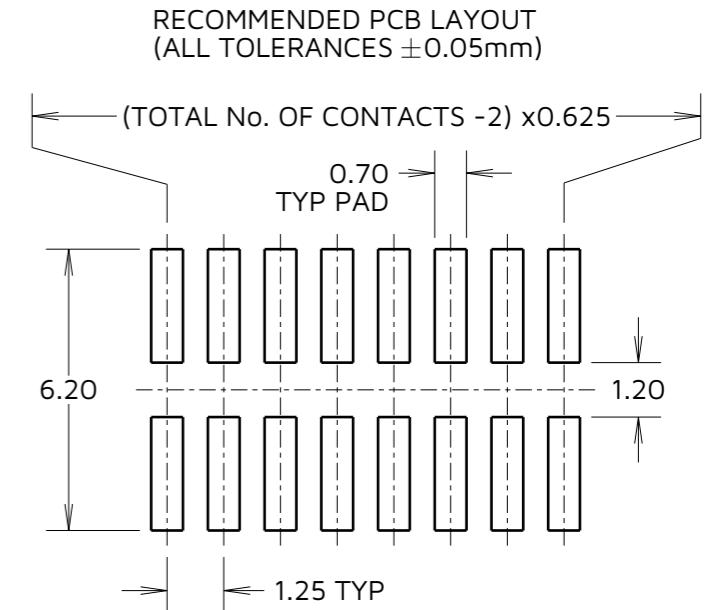
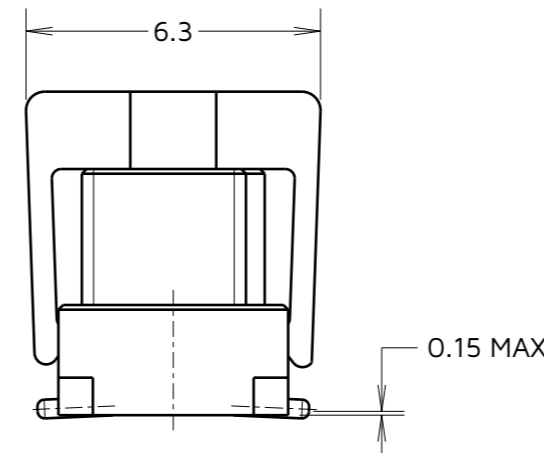
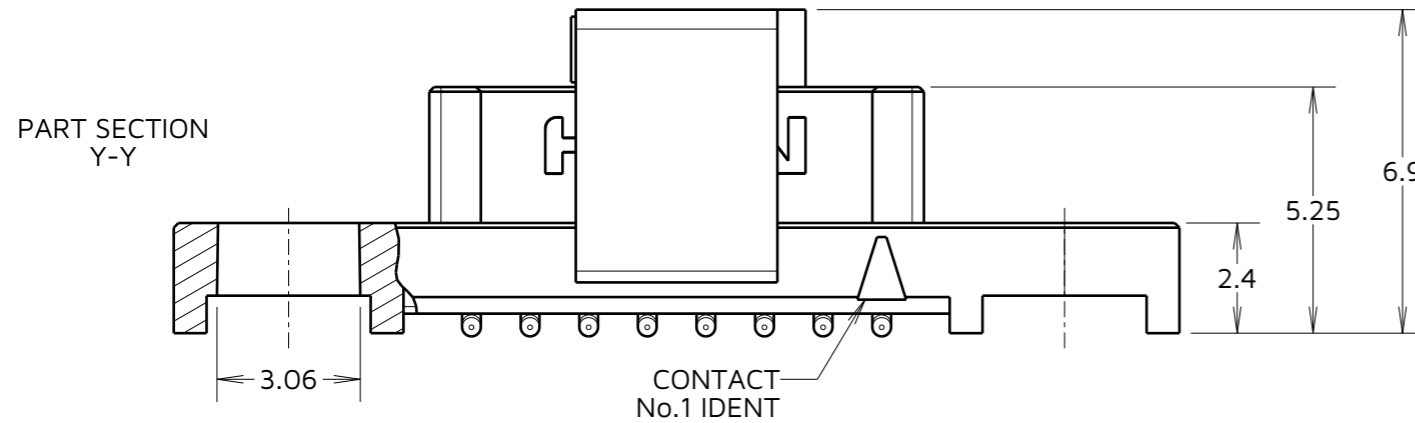
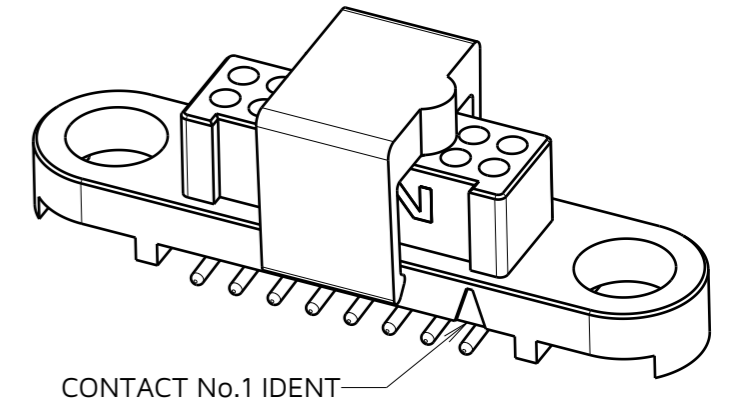
THIRD ANGLE PROJECTION

ALL DIMENSIONS IN mm



ORDER CODE:
G125-FS1XX05FOP

TOTAL No. OF CONTACTS:
06, 10, 12, 16, 20, 26, 34 & 50.



CONNECTOR AND PCB LAYOUT DETAILS ONLY.
SEE SHEET 4 FOR TAPE STRIP DETAILS.

NOTES:

- FOR COMPLETE SPECIFICATION, SEE COMPONENT SPECIFICATION C125XX (LATEST ISSUE).
- CO-PLANARITY OF SMT TAILS = 0.10mm MAX.
- DRAWING SHOWS CONNECTOR WITH 16 CONTACTS.

HARWIN

www.harwin.com

TOLERANCES
X. = ±1mm
X.X = ±0.50mm
X.XX = ±0.20mm
X.XXX = ±0.01mm
ANGLES = ±5°
UNLESS STATED

THIS DRAWING AND ANY INFORMATION OR DESCRIPTIVE MATTER SET OUT HEREON ARE CONFIDENTIAL AND COPYRIGHT PROPERTY OF THE HARWIN GROUP AND MUST NOT BE DISCLOSED, LOANED, COPIED OR USED FOR MANUFACTURING, TENDERING OR FOR ANY OTHER PURPOSE WITHOUT THEIR WRITTEN PERMISSION.

MATERIAL:

SEE ABOVE

TITLE:
GECKO-SL FEMALE VERT. SMT CONNECTOR WITHOUT FIXINGS

DRAWING NUMBER:
G125-FS1XX05FOP

SHT
5
OF
6

RTP	4	23.11.23	33346
NAME	ISS.	DATE	CN/CO
APPROVED: R.PORTLOCK			
CHECKED: A.YEOMANS			
DRAWN: R.PORTLOCK			
ASSEMBLY DRG:			

Customer Information Sheet

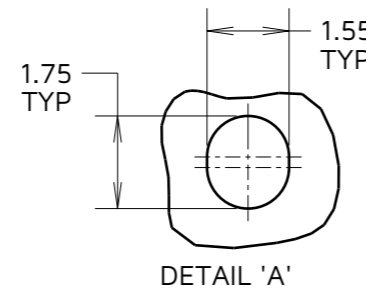
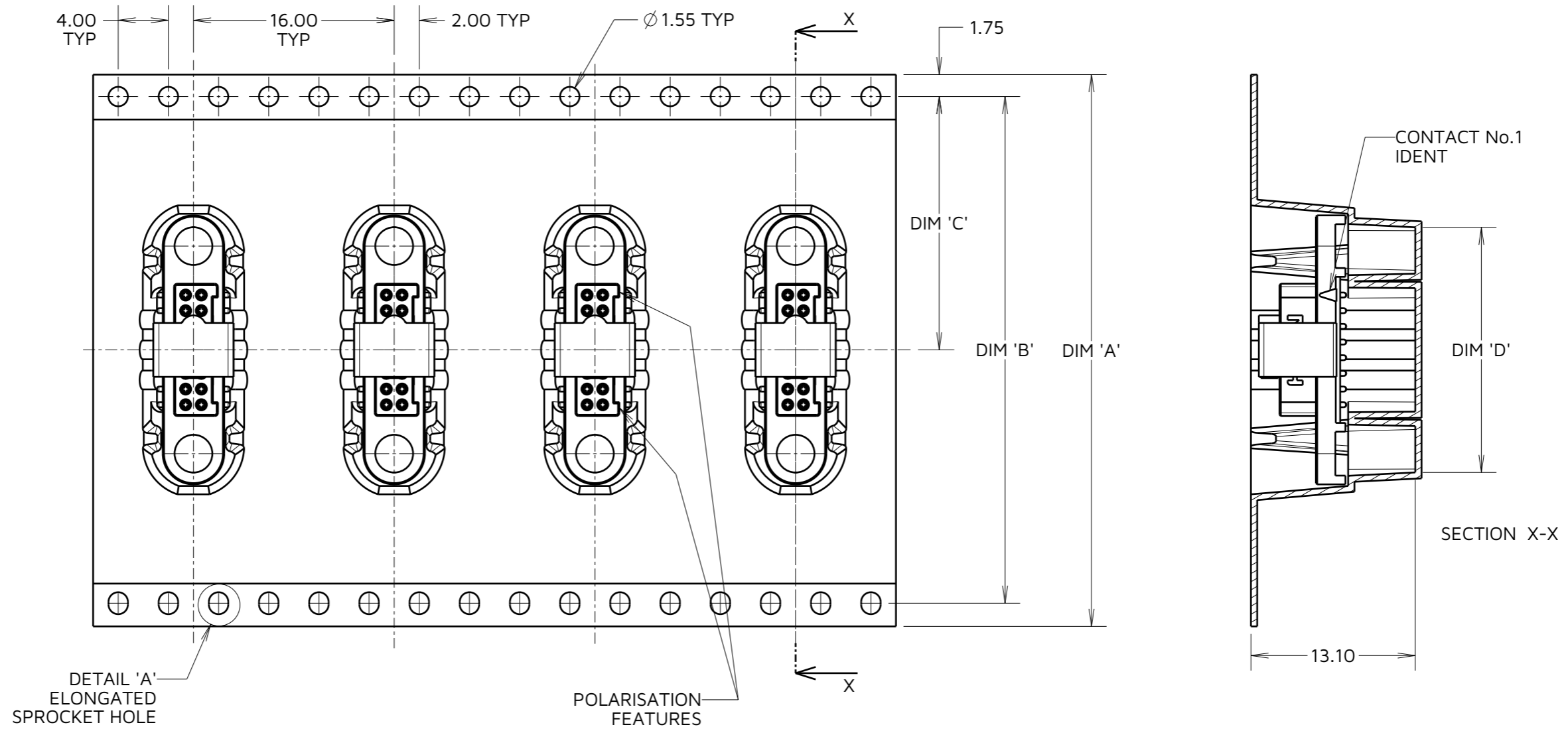
IF IN DOUBT - ASK

©

NOT TO SCALE

THIRD ANGLE PROJECTION

ALL DIMENSIONS IN mm



ORDER CODE: **G125-FS1XX05FOP**
 TOTAL No. OF CONTACTS: 06, 10, 12, 16, 20, 26, 34 & 50.

PART No.	DIM 'A'	DIM 'B'	DIM 'C'	DIM 'D'
G125-FS10605FOP	32.0±0.3	28.40	14.20±0.15	13.60±0.15
G125-FS11005FOP				16.10±0.15
G125-FS11205FOP				17.35±0.15
G125-FS11605FOP	44.0±0.3	40.40	20.20±0.15	19.85±0.15
G125-FS12005FOP				22.20±0.15
G125-FS12605FOP	56.0±0.3	52.40	26.20±0.15	26.00±0.15
G125-FS13405FOP				30.90±0.15
G125-FS15005FOP				41.00±0.15

RTP	4	23.11.23	33346
NAME	ISS.	DATE	CN/CO
APPROVED: R.PORTLOCK			
CHECKED: A.YEOMANS			
DRAWN: R.PORTLOCK			
ASSEMBLY DRG:			

- NOTES:
- COMPONENTS ARE ORIENTED IN TAPE POCKETS AS SHOWN.
 - COMPONENTS ARE SUPPLIED IN STRIPS OF 10 UNLESS OTHERWISE SPECIFIED.
 - LARGE QTY'S MAY BE SHIPPED ON A REEL AND MAY NOT HAVE A LEADER.



TOLERANCES
 X. = ±1mm
 X.X = ±0.50mm
 X.XX = ±0.20mm
 X.XXX = ±0.01mm
 ANGLES = ±5°
 UNLESS STATED

THIS DRAWING AND ANY INFORMATION OR DESCRIPTIVE MATTER SET OUT HEREON ARE CONFIDENTIAL AND COPYRIGHT PROPERTY OF THE HARWIN GROUP AND MUST NOT BE DISCLOSED, LOANED, COPIED OR USED FOR MANUFACTURING, TENDERING OR FOR ANY OTHER PURPOSE WITHOUT THEIR WRITTEN PERMISSION.

MATERIAL:
 SEE ABOVE

TITLE:
GECKO-SL FEMALE VERT. SMT CONNECTOR WITHOUT FIXINGS
 DRAWING NUMBER:
G125-FS1XX05FOP
 SHT 6 OF 6