

# Customer Information Sheet

DRAWING No.: G125-FCXXX69FI-XXXXFI

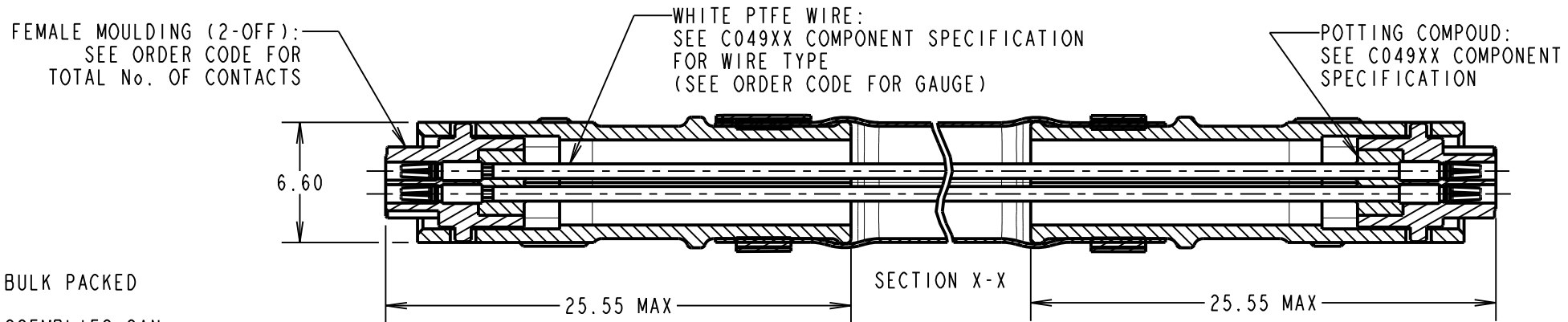
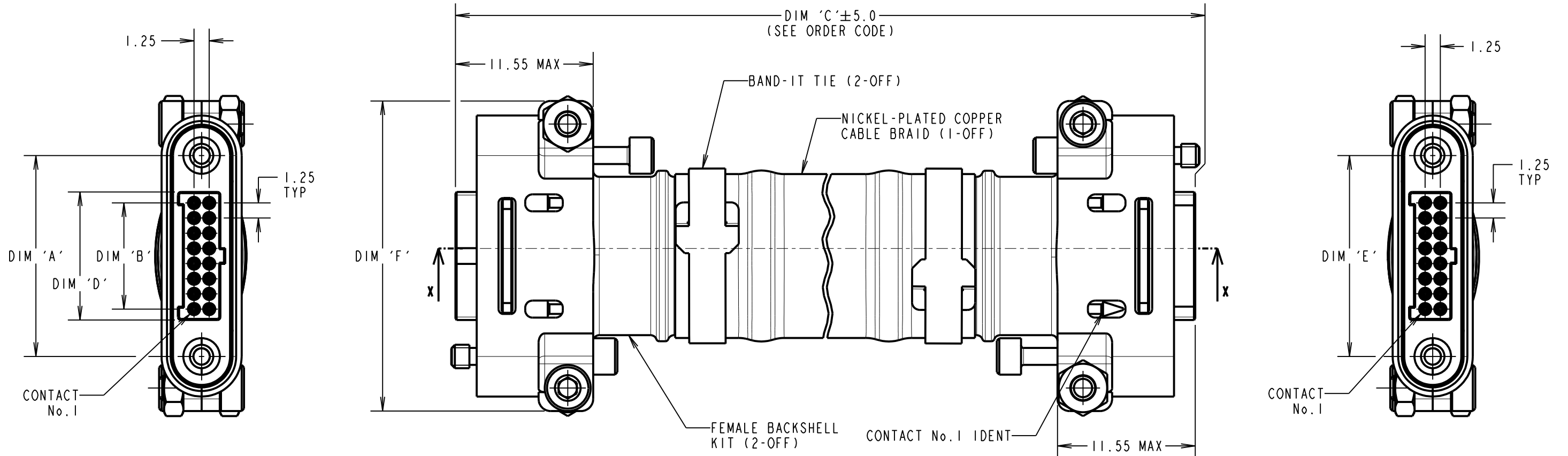
IF IN DOUBT - ASK

©

NOT TO SCALE

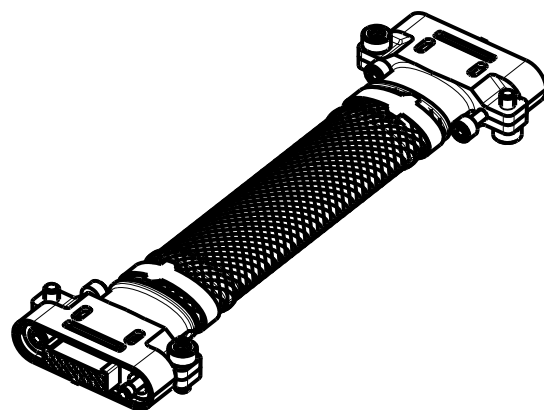
THIRD ANGLE PROJECTION

ALL DIMENSIONS IN mm



- NOTES:
1. CABLE ASSEMBLIES ARE BULK PACKED IN BAGS.
  2. CUSTOM LENGTH CABLE ASSEMBLIES CAN BE PRODUCED FROM 80mm TO 9999mm.
  3. FOR COMPLETE SPECIFICATION, SEE COMPONENT SPECIFICATIONS C049XX AND C125XX (LATEST ISSUE).
  4. WIRING OF CONNECTOR:  
CONTACT 1 TO CONTACT 1,  
CONTACT 2 TO CONTACT 2, ETC.

DIMENSION	MEASUREMENT
DIM 'A'	(TOTAL No. OF CONTACTS - 2) x 0.625 + 7.8
DIM 'B'	(TOTAL No. OF CONTACTS - 2) x 0.625
DIM 'D'	(TOTAL No. OF CONTACTS - 2) x 0.625 + 1.8
DIM 'E'	(TOTAL No. OF CONTACT - 2) x 0.625 + 12.7
DIM 'F'	(TOTAL No. OF CONTACTS - 2) x 0.625 + 14.9



ORDER CODE:

**G125-FCXXX69FI-XXXXFI**

26 AWG = 1  
28 AWG = 2

DIM 'C' LENGTH:  
0080 = 80mm MIN  
9999 = 9999mm MAX

TOTAL No. OF CONTACTS:  
06, 10, 12, 16,  
20, 26, 34, 50

RTP	2	02.12.20	30279
NAME	ISS.	DATE	CN/CO
APPROVED:		R.PORTLOCK	
CHECKED:		R.ALEXANDER	
DRAWN:		R.PORTLOCK	
CUSTOMER REF.:			
ASSEMBLY DRG:			

**HARWIN**

www.harwin.com  
technical@harwin.com

THIS DRAWING AND ANY INFORMATION OR DESCRIPTIVE MATTER SET OUT HEREON ARE CONFIDENTIAL AND COPYRIGHT PROPERTY OF THE HARWIN GROUP AND MUST NOT BE DISCLOSED, LOANED, COPIED OR USED FOR MANUFACTURING, TENDERING OR FOR ANY OTHER PURPOSE WITHOUT THEIR WRITTEN PERMISSION.

TOLERANCES  
X. = ±1mm  
X.X = ±0.50mm  
X.XX = ±0.20mm  
X.XXX = ±0.01mm  
ANGLES = ±5°  
UNLESS STATED

MATERIAL:  
SEE ABOVE  
FINISH: SEE ABOVE  
S/AREA: mm<sup>2</sup>

TITLE: G125 SERIES DOUBLE-ENDED FEMALE-TO-FEMALE FULLY SHIELDED CABLE ASSEMBLY

DRAWING NUMBER:  
**G125-FCXXX69FI-XXXXFI**

SHT  
4 OF 4