

Customer Information Sheet

DRAWING No.: G125-FCXXX68FI-XXXXL

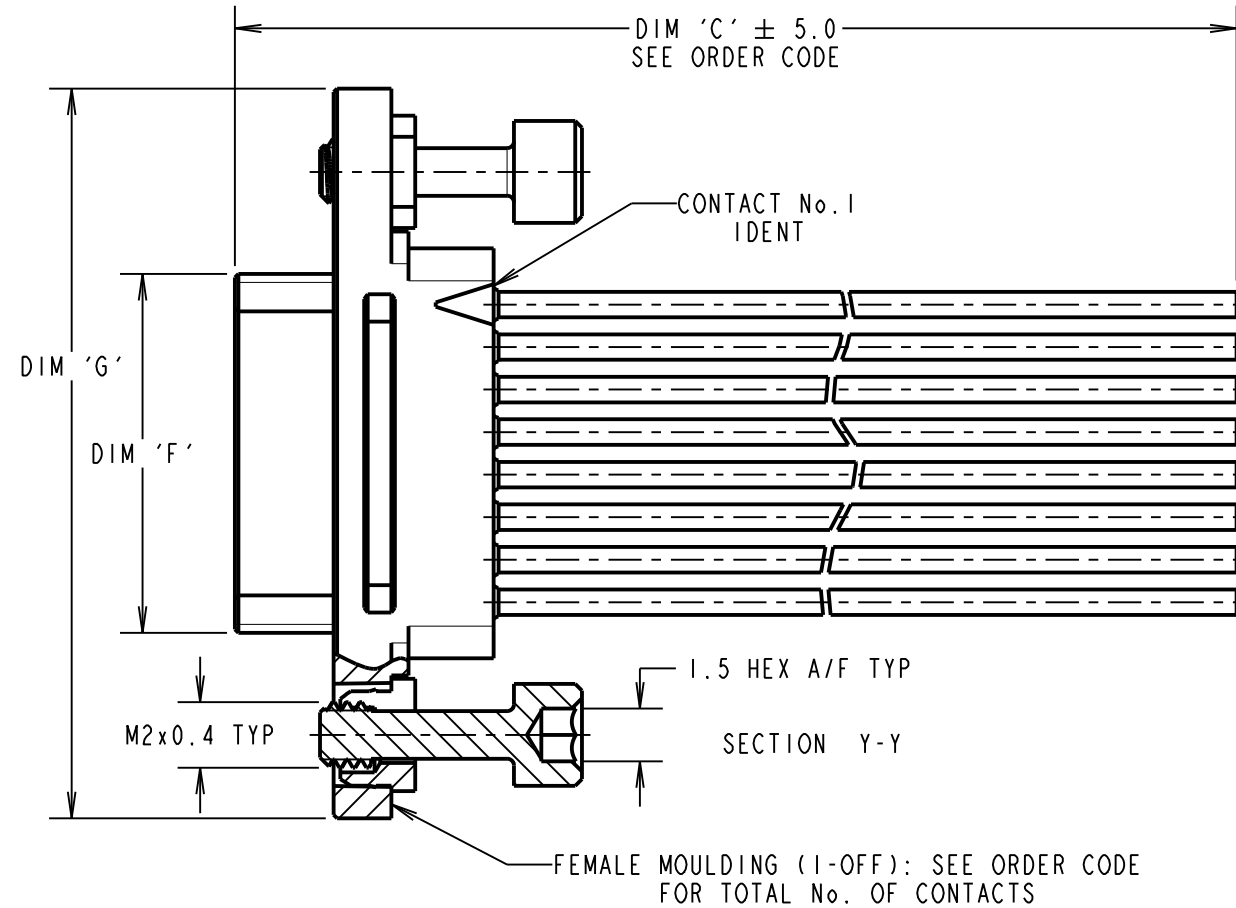
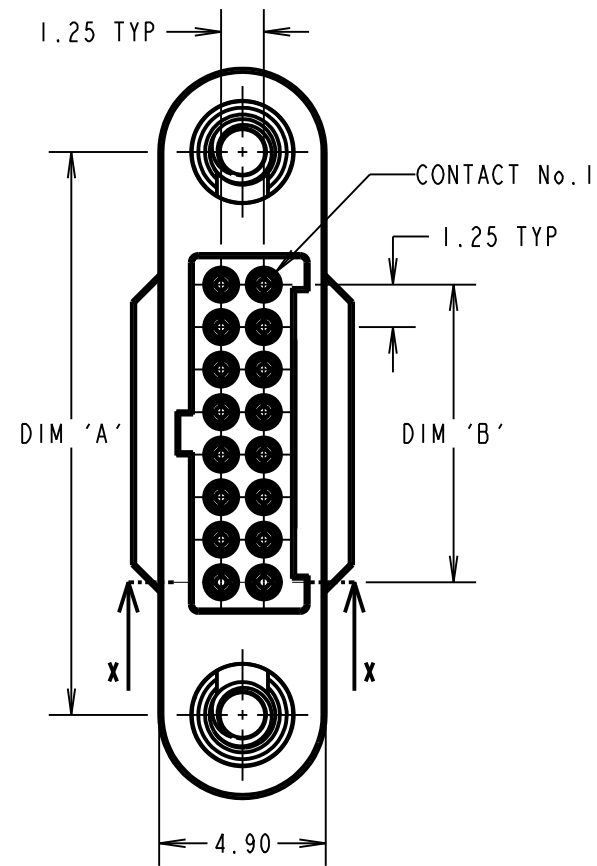
IF IN DOUBT - ASK

©

NOT TO SCALE

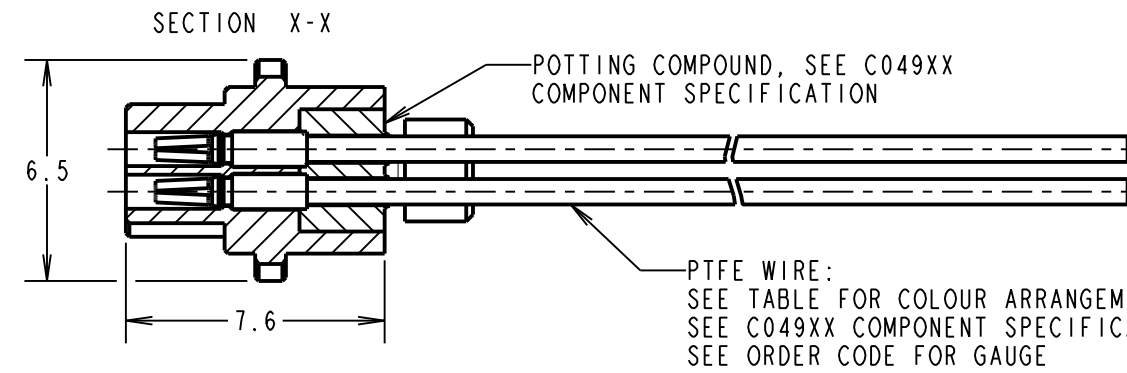
THIRD ANGLE PROJECTION

ALL DIMENSIONS IN mm



CONTACT No.	WIRE COLOUR
1	BLACK
2	BROWN
3	RED
4	ORANGE
5	YELLOW
6	GREEN
7	BLUE
8	VIOLET
9	GREY
10	WHITE

WIRE COLOURS REPEAT IN ABOVE ORDER FOR CONNECTOR ASSEMBLIES OVER 10 CONTACTS.



DIMENSION	MEASUREMENT
DIM 'A'	(TOTAL No. OF CONTACTS - 2) x 0.625 + 7.80
DIM 'B'	(TOTAL No. OF CONTACTS - 2) x 0.625 ± 0.20
DIM 'F'	(TOTAL No. OF CONTACTS - 2) x 0.625 + 1.80
DIM 'G'	(TOTAL No. OF CONTACTS - 2) x 0.625 + 12.7

EXAMPLE PART No.
 12 CONTACT CONNECTOR WITH 150mm OF 26AWG WIRE = G125-FC11268FI-0150L
 50 CONTACT CONNECTOR WITH 450mm OF 28AWG WIRE = G125-FC25068FI-0450L



ORDER CODE:
G125-FCXXX68FI-XXXXL

26 AWG = 1
 28 AWG = 2

TOTAL No. OF CONTACTS:
 06, 10, 12, 16,
 20, 26, 34, 50

DIM 'C' LENGTH:
 0060 = 60mm MIN
 9999 = 9999mm MAX

STOCKED LENGTHS:
 0150 = 150mm
 0300 = 300mm
 0450 = 450mm

RTP	1	25.07.19	22032
NAME	ISS.	DATE	C/NOTE
APPROVED: R.PORTLOCK			
CHECKED: S.BENNETT			
DRAWN: R.PORTLOCK			
CUSTOMER REF.:			
ASSEMBLY DRG:			

- NOTES:
- CABLE ASSEMBLIES WILL BE PACKED IN BAGS OF 10.
 - CUSTOM LENGTH CABLE ASSEMBLIES CAN BE PRODUCED FROM 60mm TO 9999mm. CONTACT OUR CABLE TEAM ON CABLES@HARWIN.COM.
 - FOR COMPLETE SPECIFICATION, SEE COMPONENT SPECIFICATIONS C049XX AND C125XX (LATEST ISSUES).

 www.harwin.com technical@harwin.com	THIS DRAWING AND ANY INFORMATION OR DESCRIPTIVE MATTER SET OUT HEREON ARE CONFIDENTIAL AND COPYRIGHT PROPERTY OF THE HARWIN GROUP AND MUST NOT BE DISCLOSED, LOANED, COPIED OR USED FOR MANUFACTURING, TENDERING OR FOR ANY OTHER PURPOSE WITHOUT THEIR WRITTEN PERMISSION.	TOLERANCES	MATERIAL:	TITLE:
		X. = ±1mm X.X = ±0.50mm X.XX = ±0.20mm X.XXX = ±0.01mm ANGLES = ±5° UNLESS STATED	SEE ABOVE	GECKO SL FEMALE CRIMP CONNECTOR WITH PIGTAIL
			FINISH: SEE ABOVE	DRAWING NUMBER:
			S/AREA: mm ²	G125-FCXXX68FI-XXXXL