

Customer Information Sheet

DRAWING No.: G125-FCX08FI-2B2B-XXXXL

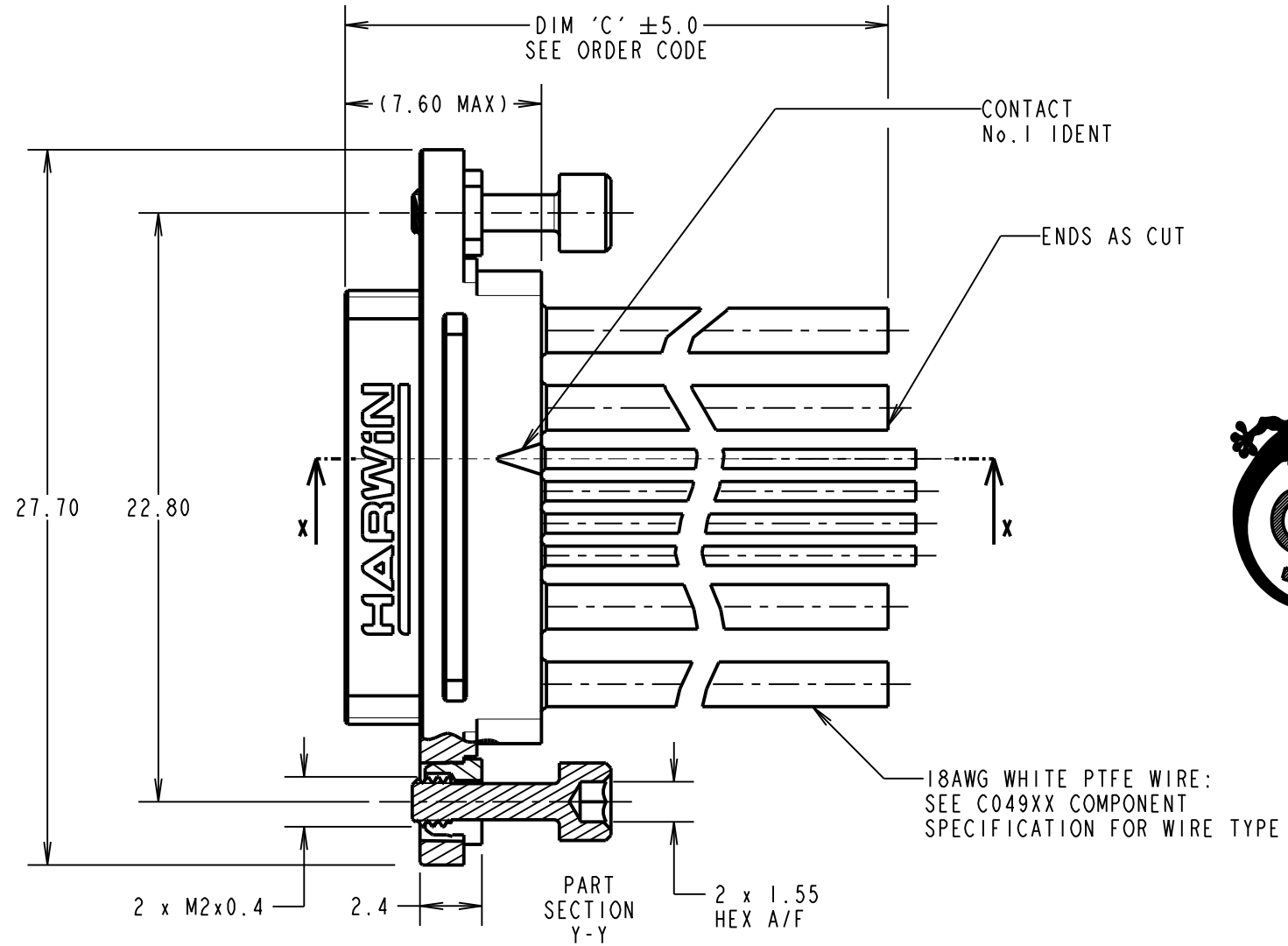
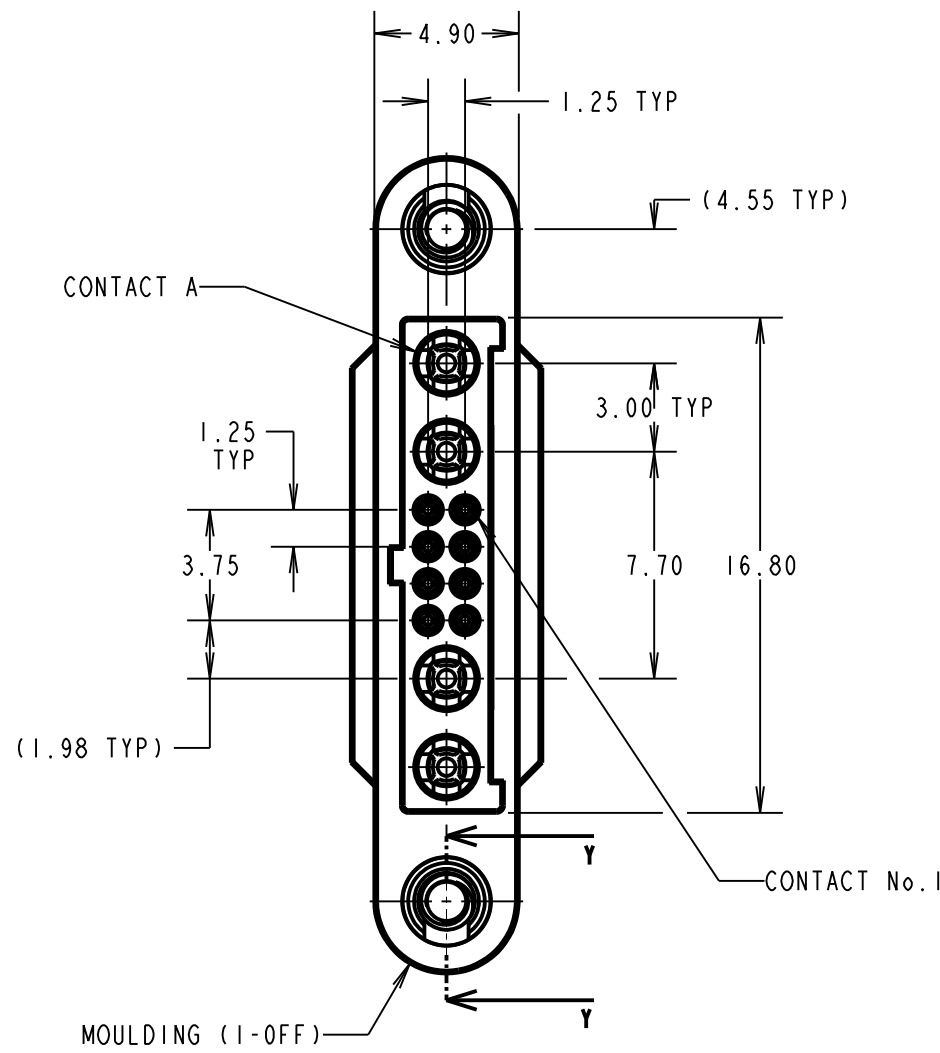
IF IN DOUBT - ASK

©

NOT TO SCALE

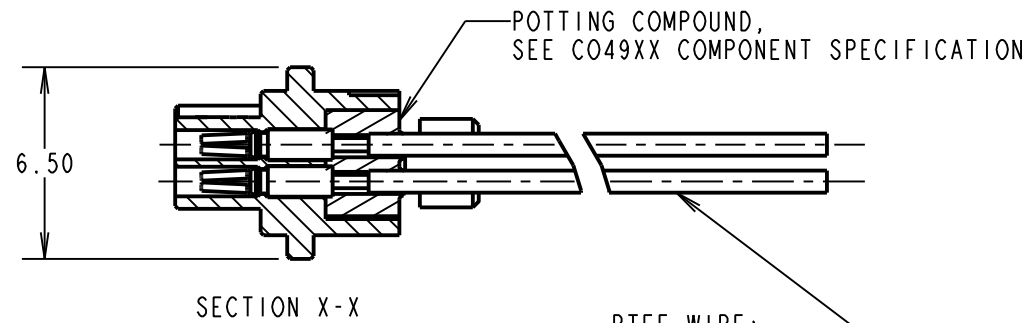
THIRD ANGLE PROJECTION

ALL DIMENSIONS IN mm



CONTACT No.	WIRE COLOUR
1	BLACK
2	BROWN
3	RED
4	ORANGE
5	YELLOW
6	GREEN
7	BLUE
8	VIOLET
9	GREY
10	WHITE

WIRE COLOURS REPEAT IN ABOVE ORDER FOR CONNECTOR ASSEMBLIES OVER 10 CONTACTS.



- NOTES:
- CABLE ASSEMBLIES ARE BULK PACKED IN BAGS.
 - FOR COMPLETE SPECIFICATION, SEE COMPONENT SPECIFICATIONS C049XX AND C125XX (LATEST ISSUES).

RTP	2	25.06.20	30071
NAME	ISS.	DATE	CN/CO
APPROVED:		R.PORTLOCK	
CHECKED:		R.ALEXANDER	
DRAWN:		R.PORTLOCK	
CUSTOMER REF.:			
ASSEMBLY DRG:			

ORDER CODE:
G125-FCX08FI-2B2B-XXXXL

WIRE GAUGE: 1 = 26AWG, 2 = 28AWG
DIM 'C' LENGTH: 0060 = 60mm MIN, 9999 = 9999mm MAX

HARWIN

www.harwin.com
technical@harwin.com

THIS DRAWING AND ANY INFORMATION OR DESCRIPTIVE MATTER SET OUT HEREON ARE CONFIDENTIAL AND COPYRIGHT PROPERTY OF THE HARWIN GROUP AND MUST NOT BE DISCLOSED, LOANED, COPIED OR USED FOR MANUFACTURING, TENDERING OR FOR ANY OTHER PURPOSE WITHOUT THEIR WRITTEN PERMISSION.

TOLERANCES
X. = ±1mm
X.X = ±0.50mm
X.XX = ±0.20mm
X.XXX = ±0.01mm
ANGLES = ±5°
UNLESS STATED

MATERIAL: SEE ABOVE
FINISH: SEE ABOVE
S/AREA: mm²

TITLE: GECKO MT FEMALE CABLE ASSEMBLY

DRAWING NUMBER: G125-FCX08FI-2B2B-XXXXL

SHT 3 OF 3