

Customer Information Sheet

DRAWING No.: G125-F1XXXXX-XXX-L

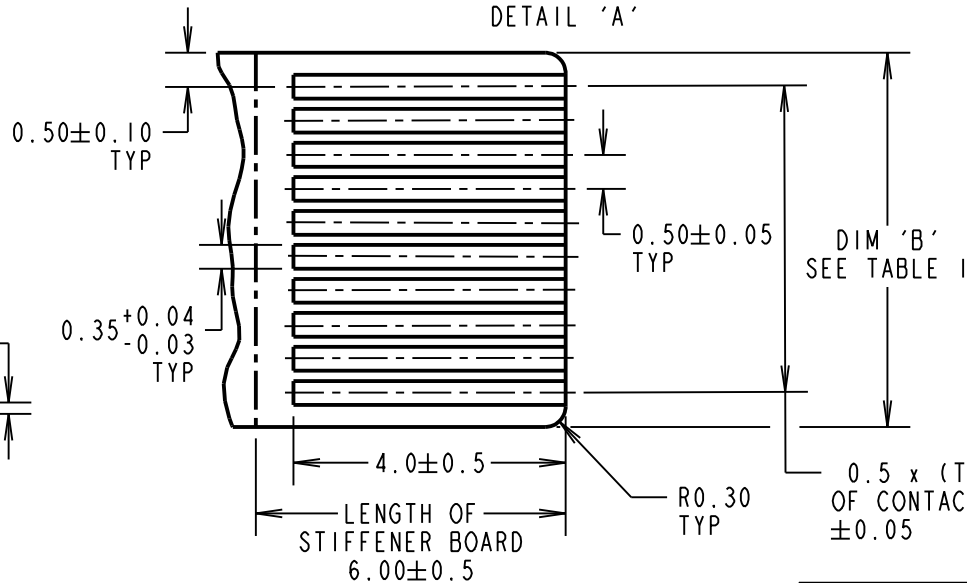
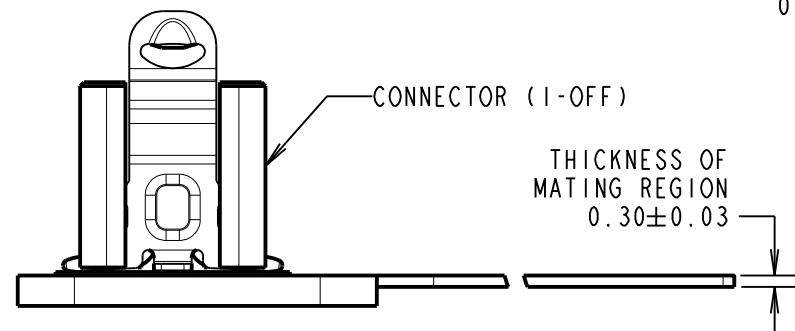
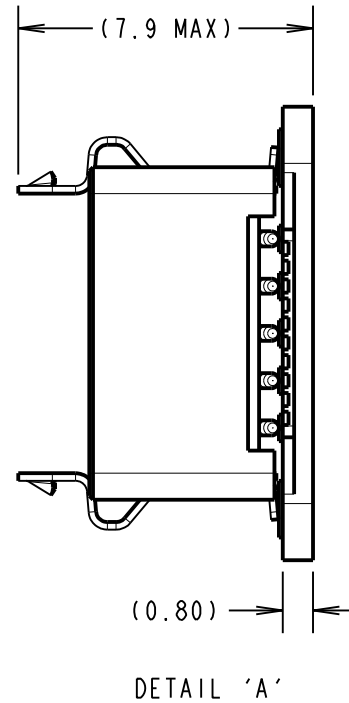
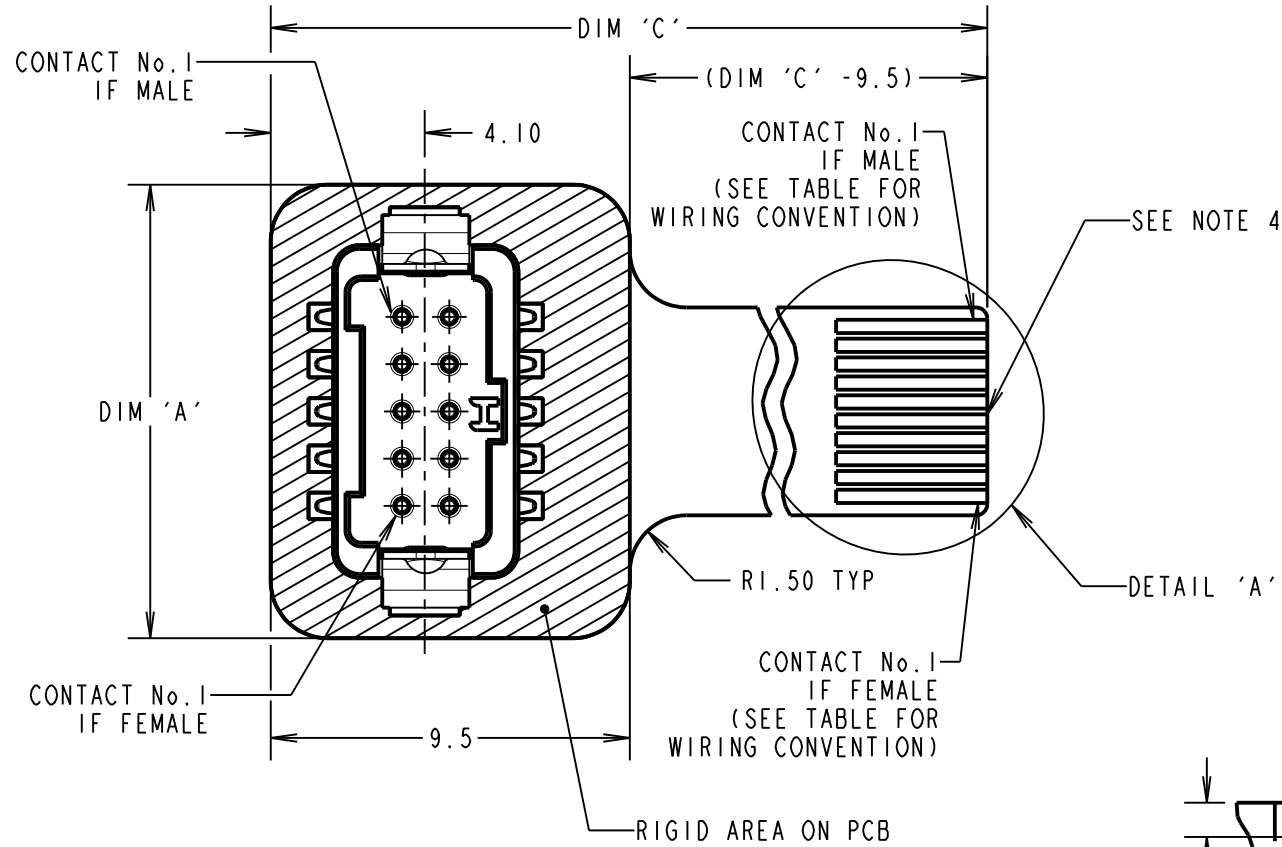
IF IN DOUBT - ASK

©

NOT TO SCALE

THIRD ANGLE PROJECTION

ALL DIMENSIONS IN mm



ORDER CODE: **G125-F1XXXXX-XXX-L**

CONNECTOR PART No.: _____ DIM 'C' (PCB LENGTH): _____
 MSI = G125-MS1XX05L3P 999 = 999mm MAX.
 FSI = G125-FS1XX05L0P
 TOTAL No. OF CONTACTS: _____
 06, 10, 12, 16, 20, 26, 34, 50.

TABLE 2

ZIF PIN OUT No.	CONNECTOR PIN OUT No.
1	1
2	6
3	2
4	7
5	3
6	8
7	4
8	9
9	5
10	10

BASED ON G125-MF11005L3-0075L SHOWN. CONVENTION CONTINUES AS FOLLOWS:

ALL FIRST ROW CONTACTS:
CONTACT X TO CONTACT ((TOTAL/2)+X)
(WHERE X IS CONTACT POSITION)

ALL SECOND ROW CONTACTS:
CONTACT Y TO CONTACT (Y-(TOTAL/2))
(WHERE Y IS CONTACT POSITION)

'FIRST ROW' POSITIONS ON CONTACT No. 1 ROW
'SECOND ROW' POSITIONS OPPOSITE CONTACT No. 1 ROW

- NOTES:
- FOR COMPLETE CONNECTOR SPECIFICATION, SEE COMPONENT SPECIFICATION C125XX (LATEST ISSUE).
 - CONNECTOR SHOWN IS FOR REFERENCE ONLY. SEE TABLE AND ORDER CODE FOR POSSIBLE CONFIGURATIONS.
 - PCB ASSEMBLIES PACKED INDIVIDUALLY IN ANTI-STATIC BAGS.
 - 0.5mm PITCH CONNECTION DESIGNED FOR USED WITH ZIF/FPC/FFC.

FLEX PCB SPECIFICATION:

- BOARD CONSTRUCTION:
SINGLE LAYER FLEXIBLE PCB
50µm BASE POLYIMIDE
35µm (1oz) COPPER CLAD TO IPC-4204/1
50µm BONDED COVERLAY TO IPC-4203/1
0.8mm HTG FR4 TO IPC-4101/126 LOCALLY RIGIDISED IN CONNECTOR AREAS
- SURFACE FINISH:
ENIG TO IPC-4552 ON EXPOSED COPPER
- IPC CLASSIFICATION:
BARE CIRCUIT - IPC-A-600/IPC-6013 CLASS 3
ASSEMBLY - IPC-A-610/J-STD-001 CLASS 3
- MECHANICAL PROPERTIES:
NOMINAL FLEX THICKNESS = 0.185mm
MINIMUM STATIC BEND RADIUS (IPC-2223) = 1.85mm
SUITABLE FOR DYNAMIC OPERATION ON BEND RADII ABOVE 3.70mm
- ELECTRICAL PROPERTIES:
MAX. CURRENT PER TRACK = 0.4A
INSULATION RESISTANCE = 10GΩ MIN AT 500V DC
VOLTAGE PROOF (AT 1013mbar, SEA LEVEL) = 600V DC OR AC PEAK

SEE NOTE 2
G125-MS11005L3P SHOWN
FOR REFERENCE ONLY
(SEE ORDER CODE)

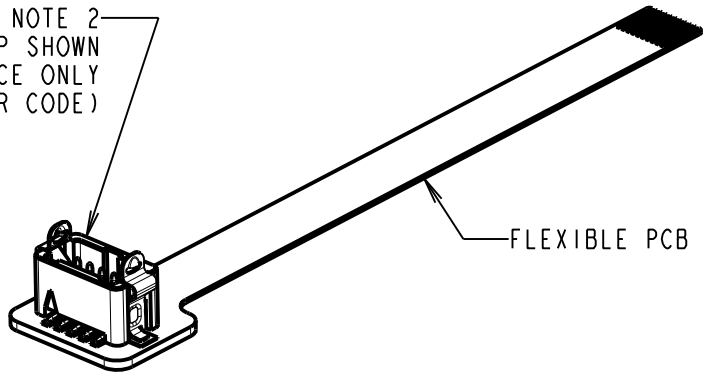


TABLE 1

DIMENSION	CALCULATION
DIM 'A'	(TOTAL No. OF CONTACTS - 2) x 0.625 + 7
DIM 'B'	(TOTAL No. OF CONTACTS + 1) x 0.5 ± 0.07
DIM 'C'	OVERALL PCB LENGTH (SEE ORDER CODE)

EXAMPLE:
75mm FLEX PCB WITH 10 CONTACT CONNECTOR (G125-MS11005L3P)

PART NUMBER = G125-F1MS110-075-L
DIM 'A' = 12mm DIM 'B' = 6mm DIM 'C' = 75mm

RTP	5	06.05.21	30532
NAME	ISS.	DATE	CN/CO
APPROVED:		R.PORTLOCK	
CHECKED:		M.RUDKIN	
DRAWN:		R.PORTLOCK	
CUSTOMER REF.:			
ASSEMBLY DRG:			

HARWIN

www.harwin.com
technical@harwin.com

THIS DRAWING AND ANY INFORMATION OR DESCRIPTIVE MATTER SET OUT HEREON ARE CONFIDENTIAL AND COPYRIGHT PROPERTY OF THE HARWIN GROUP AND MUST NOT BE DISCLOSED, LOANED, COPIED OR USED FOR MANUFACTURING, TENDERING OR FOR ANY OTHER PURPOSE WITHOUT THEIR WRITTEN PERMISSION.

TOLERANCES
X. = ±1mm
X.X = ±0.50mm
X.XX = ±0.20mm
X.XXX = ±0.01mm
ANGLES = ±5°
UNLESS STATED

MATERIAL:
SEE ABOVE

FINISH: SEE ABOVE

S/AREA: mm²

TITLE:
G125 LATCHED FLEX PCB ASSEMBLY

DRAWING NUMBER:
G125-F1XXXXX-XXX-L

SHT
2 OF 2