

Customer Information Sheet

DRAWING No.: G125-960XX02

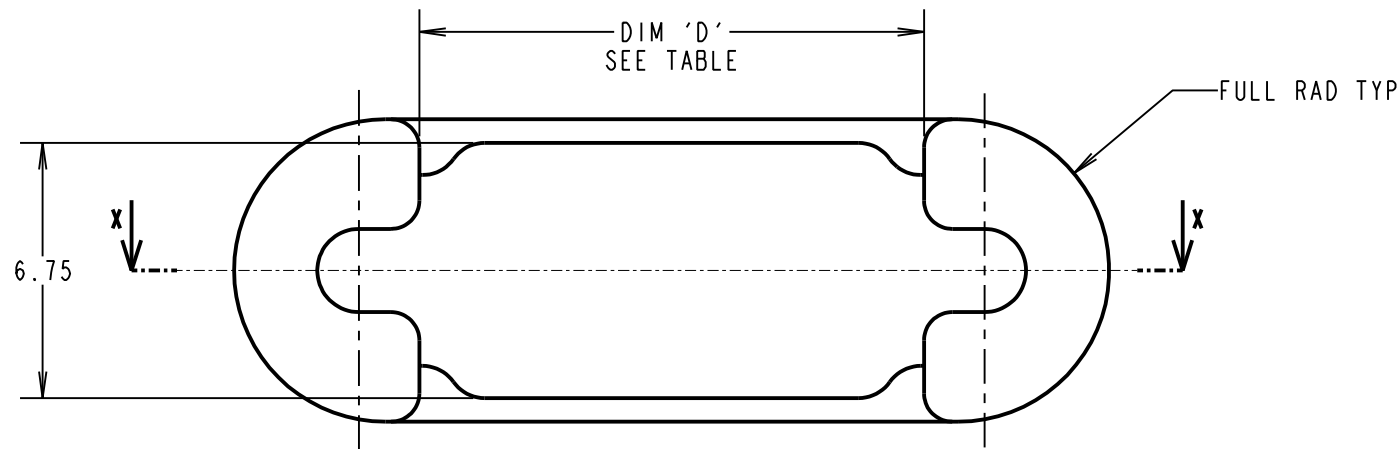
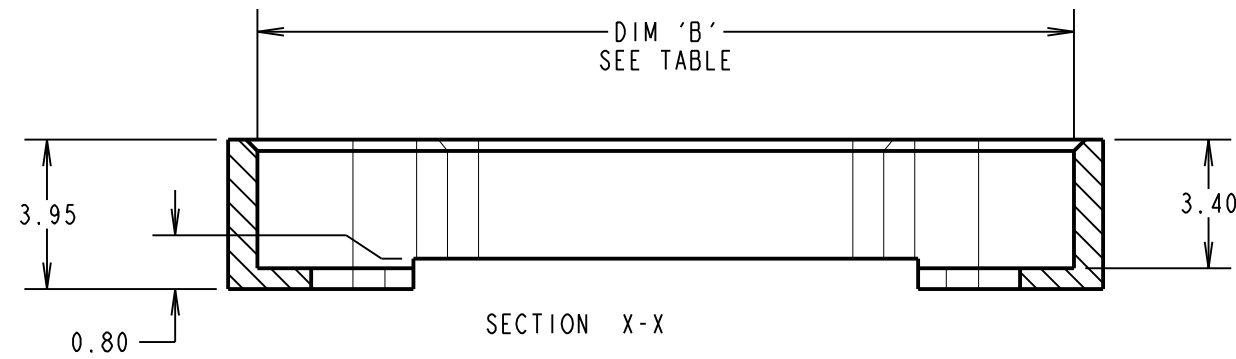
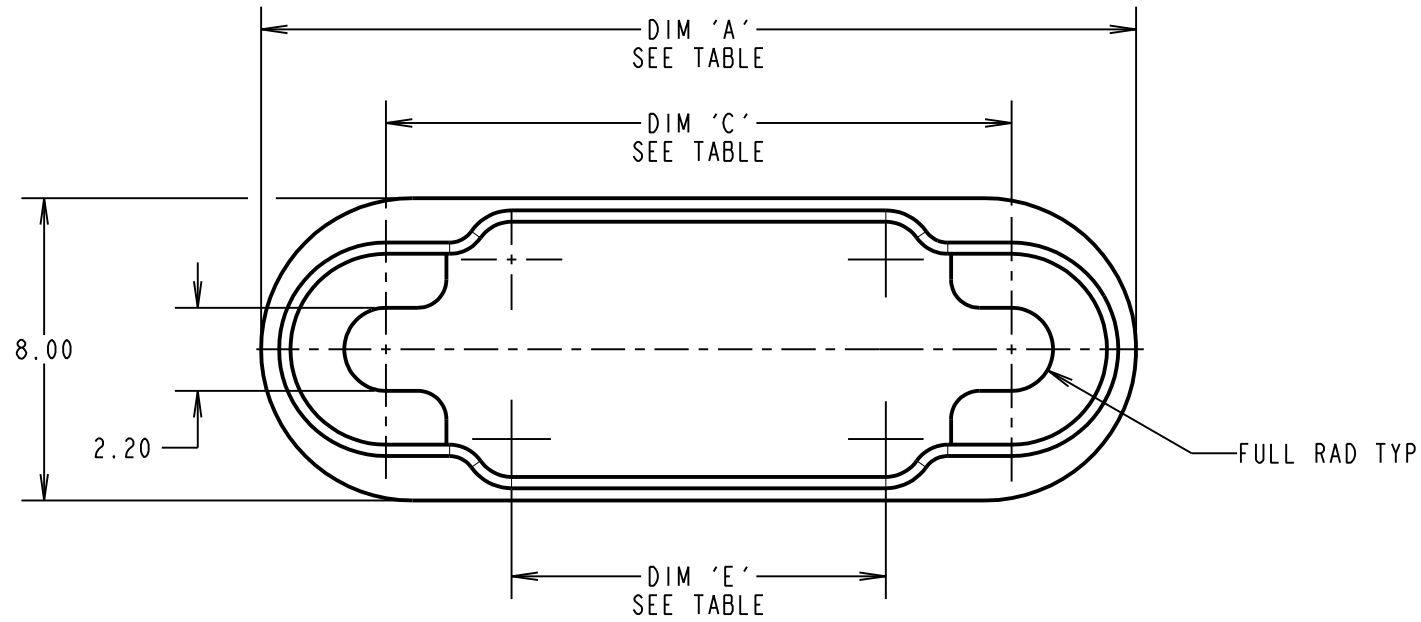
IF IN DOUBT - ASK

©

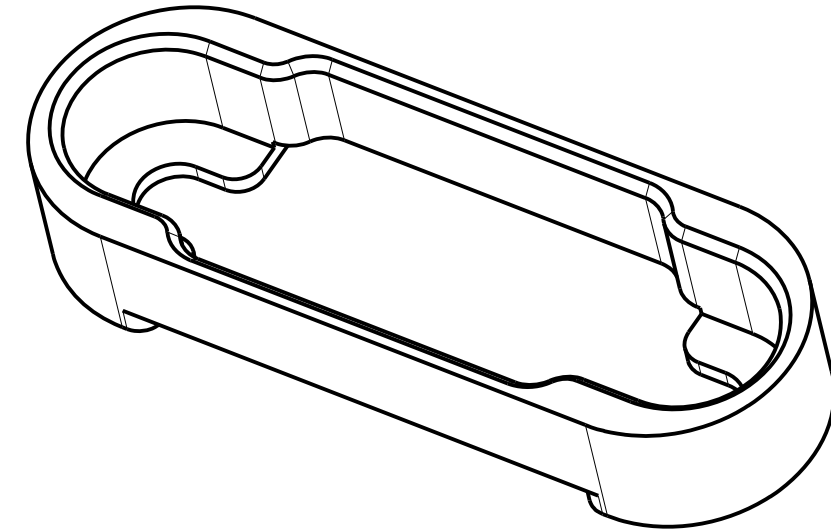
NOT TO SCALE

THIRD ANGLE PROJECTION

ALL DIMENSIONS IN mm



SPECIFICATIONS:
 MATERIAL = ALUMINIUM ALLOY
 FINISH = ELECTROLESS NICKEL
 PACKING:
 INNER PACK: 5 (WRAPPED IN TISSUE)
 OUTER PACK: BAG



- NOTES:
- METAL SHELL SUITABLE FOR THE FOLLOWING GECKO SL SERIES WITH BOARD OR PANEL MOUNT FIXINGS:
 G125-224XX96F3; G125-324XX96M2; G125-FV1XX05F3; AND G125-MV1XX05M2.
 - DRAWING SHOWS METAL SHELL FOR CONNECTOR WITH 16 CONTACTS. DRAWING ALSO APPLIES TO CONNECTORS WITH 06, 10, 12, 20, 26, 34, AND 50 CONTACTS. SEE ORDER CODE.

| PART NUMBER | DIM 'A' | DIM 'B' | DIM 'C' | DIM 'D' | DIM 'E' | SURFACE AREA |
|--------------|---------|---------|---------|---------|---------|--------------------|
| G125-9600602 | 16.90 | 15.35 | 10.30 | 7.10 | 3.65 | 420mm ² |
| G125-9601002 | 19.40 | 17.85 | 12.80 | 9.60 | 6.15 | 457mm ² |
| G125-9601202 | 20.65 | 19.10 | 14.05 | 10.85 | 7.40 | 475mm ² |
| G125-9601602 | 23.15 | 21.60 | 16.55 | 13.35 | 9.90 | 512mm ² |
| G125-9602002 | 25.65 | 24.10 | 19.05 | 15.85 | 12.40 | 549mm ² |
| G125-9602602 | 29.40 | 27.85 | 22.80 | 19.60 | 16.15 | 604mm ² |
| G125-9603402 | 34.40 | 32.85 | 27.80 | 24.60 | 21.15 | 678mm ² |
| G125-9605002 | 44.40 | 42.85 | 37.80 | 34.60 | 31.15 | 826mm ² |

| | | | |
|-----------------------|------|----------|-------|
| RA | 4 | 16.10.20 | 30269 |
| NAME | ISS. | DATE | CN/CO |
| APPROVED: R.ALEXANDER | | | |
| CHECKED: R.PORTLOCK | | | |
| DRAWN: M.PLESTED | | | |
| CUSTOMER REF.: | | | |
| ASSEMBLY DRG: | | | |

PRODUCT CODE:
G125-960XX02
 TOTAL No. OF CONTACTS _____
 06, 10, 12, 16, 20, 26, 34 & 50.

HARWIN
 www.harwin.com
 technical@harwin.com

THIS DRAWING AND ANY INFORMATION OR DESCRIPTIVE MATTER SET OUT HEREON ARE CONFIDENTIAL AND COPYRIGHT PROPERTY OF THE HARWIN GROUP AND MUST NOT BE DISCLOSED, LOANED, COPIED OR USED FOR MANUFACTURING, TENDERING OR FOR ANY OTHER PURPOSE WITHOUT THEIR WRITTEN PERMISSION.

TOLERANCES
 X. = ±1mm
 X.X = ±0.50mm
 X.XX = ±0.20mm
 X.XXX = ±0.01mm
 ANGLES = ±5°
 UNLESS STATED

MATERIAL: ALUMINIUM
 FINISH: NICKEL
 S/AREA: mm²

TITLE: GECKO SL METAL SHELL FOR PCT & CABLE PANEL MOUNT ASSY.
 DRAWING NUMBER: **G125-960XX02**
 SHT 3 OF 3