

Customer Information Sheet

DRAWING No.: G125-324XX96MI

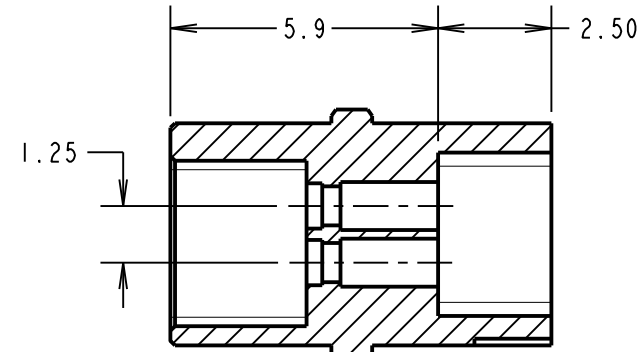
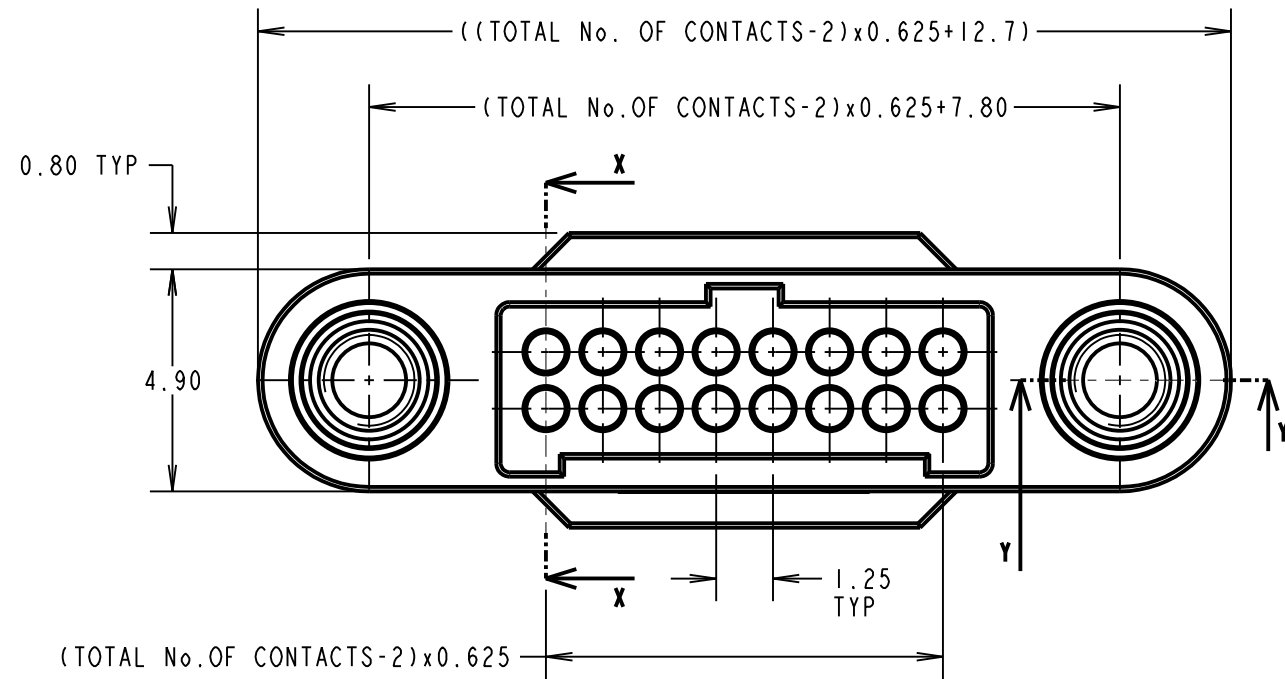
IF IN DOUBT - ASK

©

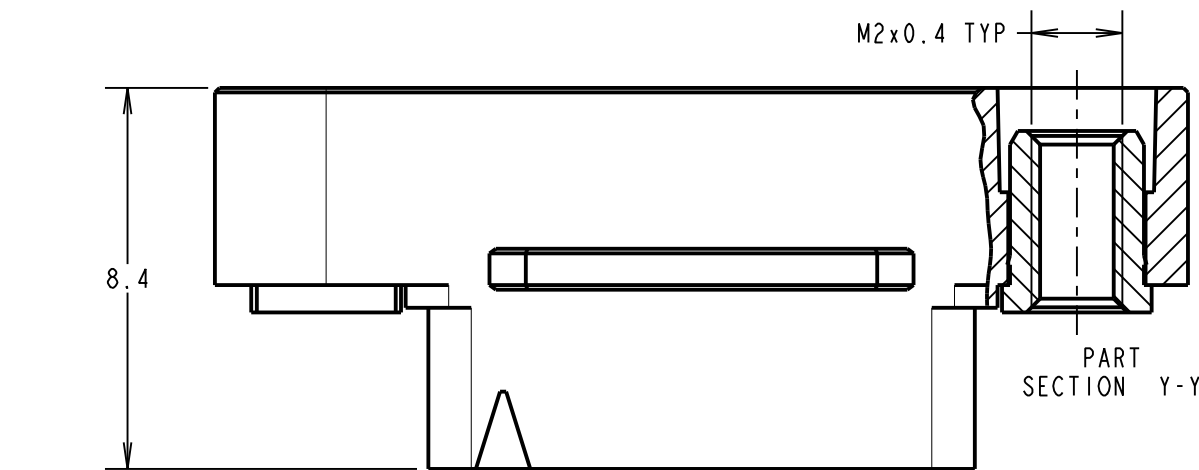
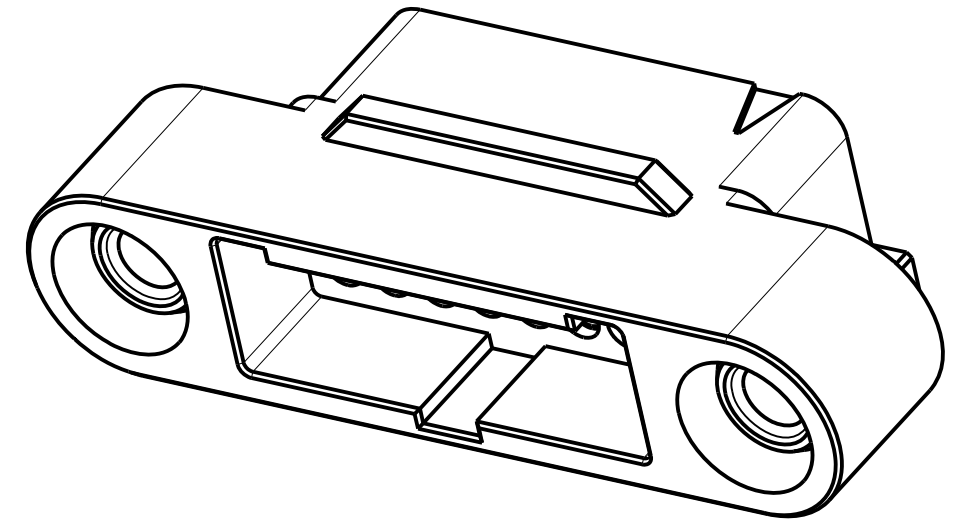
NOT TO SCALE

THIRD ANGLE PROJECTION

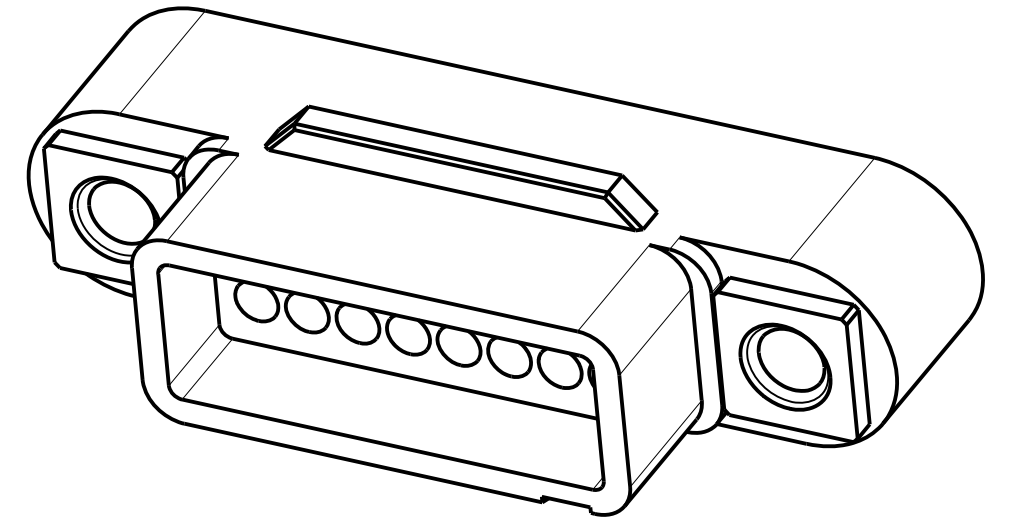
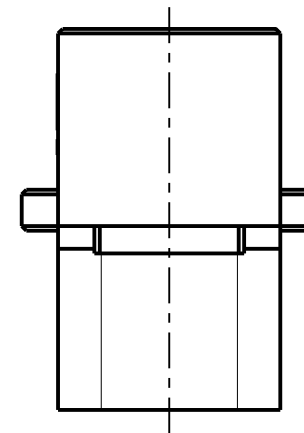
ALL DIMENSIONS IN mm



SECTION X-X



PART SECTION Y-Y



PATENTED TECHNOLOGY

ORDER CODE: **G125-324XX96MI**
 TOTAL No. OF CONTACTS: 06, 10, 12, 16, 20, 26, 34 & 50.

NOTES:

1. PACK SIZE: 10 PER BAG.
2. HOUSING TO BE USED WITH G125-1010005 (FOR 26AWG) AND G125-1020005 (FOR 28-32AWG) MALE CRIMP CONTACTS, OR G125-0200005 BLANKING PLUG.
3. FOR ASSEMBLY INSTRUCTIONS SEE INSTRUCTION SHEET IS-38.
4. FOR MATERIALS, FINISH AND SPECIFICATIONS SEE GECKO SERIES SPECIFICATION SUMMARY SHEET OR COMPONENT SPECIFICATION C125XX (LATEST ISSUE) FOR FULL SPECIFICATION.
5. DRAWING SHOWS HOUSING WITH 16 CONTACT POSITIONS.
6. METAL HOODS ARE AVAILABLE FOR THIS RANGE. SEE WWW.HARWIN.COM FOR DETAILS.

RTP	3	14.06.21	30588
NAME	ISS.	DATE	CN/CO
APPROVED: R.PORTLOCK			
CHECKED: R.ALEXANDER			
DRAWN: M.PLESTED			
CUSTOMER REF.:			
ASSEMBLY DRG:			

HARWIN
 www.harwin.com
 technical@harwin.com

THIS DRAWING AND ANY INFORMATION OR DESCRIPTIVE MATTER SET OUT HEREON ARE CONFIDENTIAL AND COPYRIGHT PROPERTY OF THE HARWIN GROUP AND MUST NOT BE DISCLOSED, LOANED, COPIED OR USED FOR MANUFACTURING, TENDERING OR FOR ANY OTHER PURPOSE WITHOUT THEIR WRITTEN PERMISSION.

TOLERANCES
 X. = ±1mm
 X.X = ±0.50mm
 X.XX = ±0.20mm
 X.XXX = ±0.01mm
 ANGLES = ±5°
 UNLESS STATED

MATERIAL: SEE ABOVE
 FINISH: SEE ABOVE
 S/AREA: mm²

TITLE: GECKO-SL SERIES MALE CABLE HOUSING WITH SCREW LOK
 DRAWING NUMBER: **G125-324XX96MI**
 SHT 2 OF 2