

# Customer Information Sheet

IF IN DOUBT - ASK

©

NOT TO SCALE

THIRD ANGLE PROJECTION

ALL DIMENSIONS IN mm

ORDER CODE:

**F11-111XXX42R**

No. OF CONTACTS:

020, 040, 060, 080, 100, 120

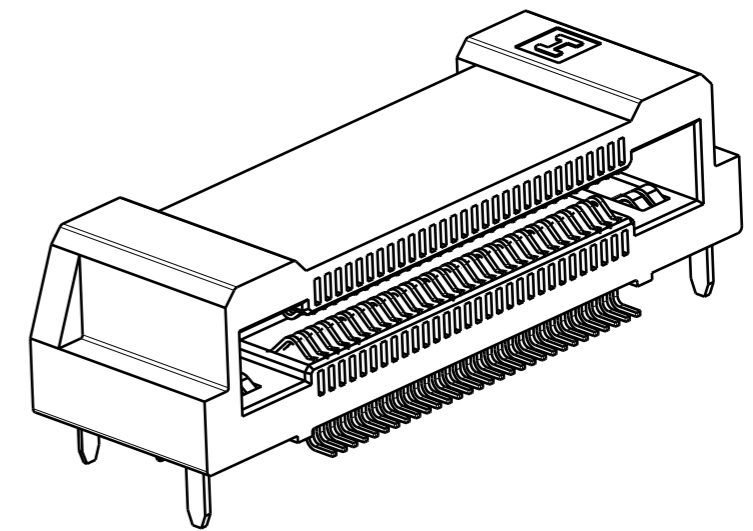
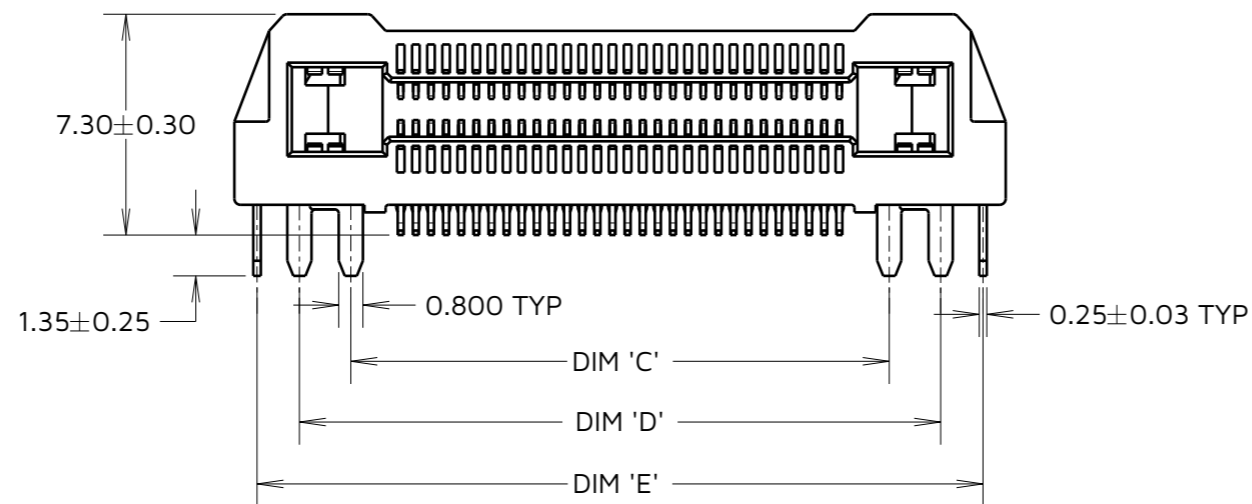
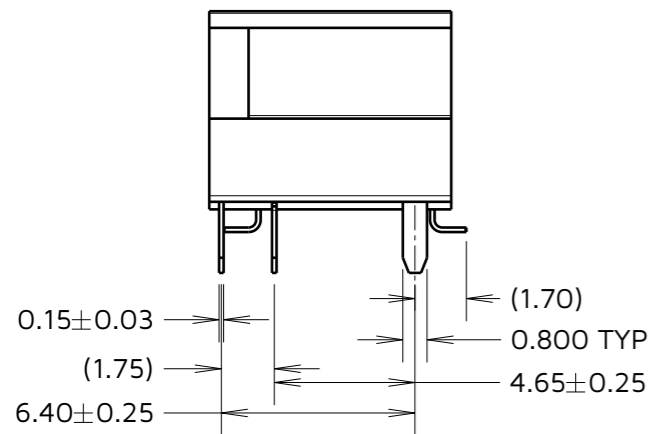
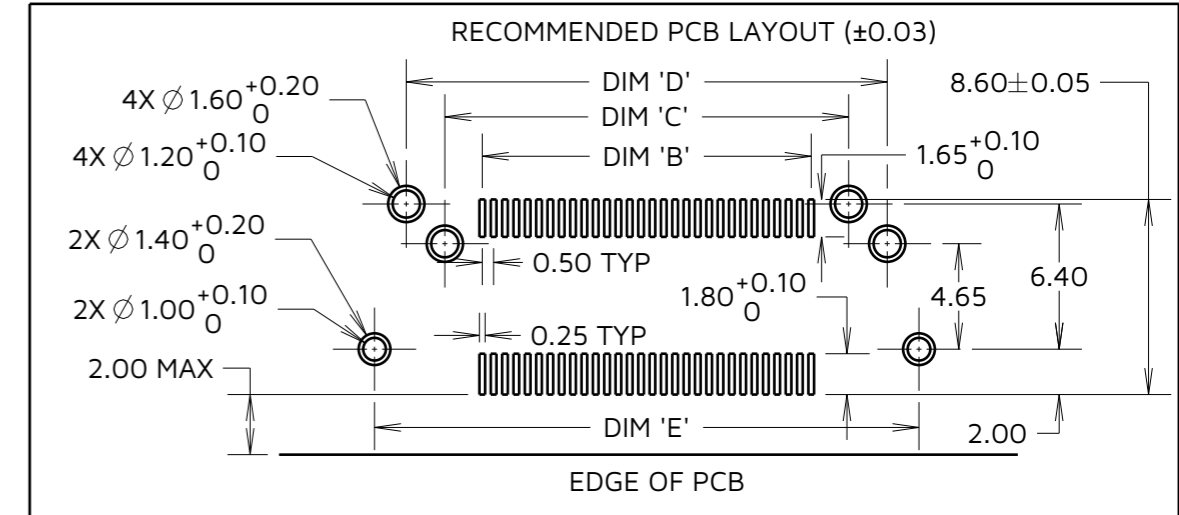
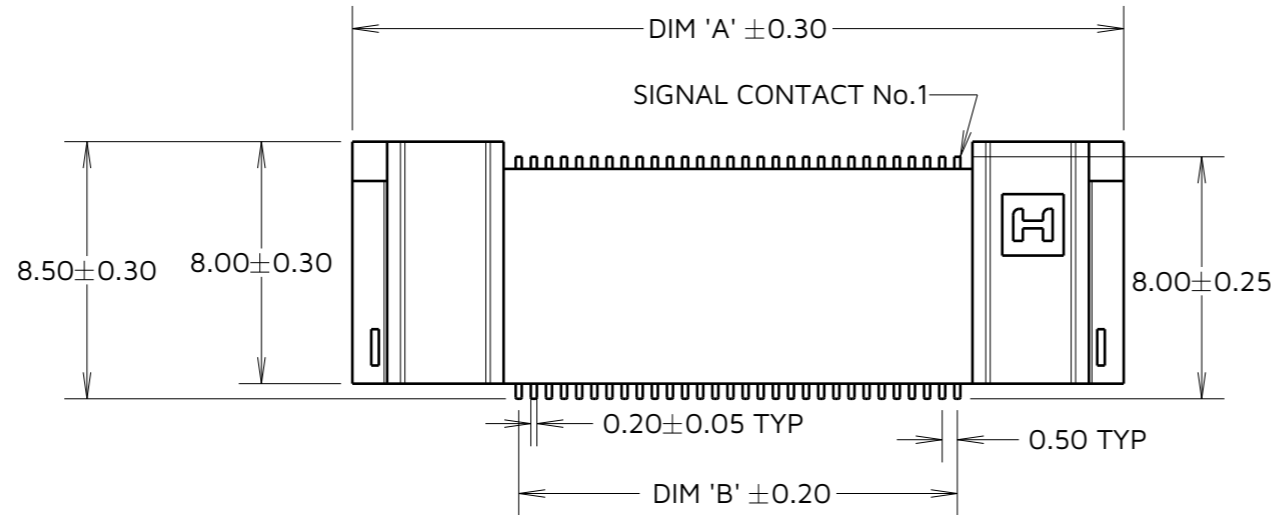


TABLE 1: DIMENSIONS

No. OF CONTACTS	DIM 'A'	DIM 'B'	DIM 'C'	DIM 'D'	DIM 'E'
20	15.50	04.50	07.8	11.2	14.0
40	20.50	09.50	12.8	16.2	19.0
60	25.50	14.50	17.8	21.2	24.0
80	30.50	19.50	22.8	26.2	29.0
100	35.50	24.50	27.8	31.2	34.0
120	40.50	29.50	32.8	36.2	39.0

TOLERANCES

X. = ±0.30mm	X.° = ±5.0°
.X = ±0.25mm	.X° = ±3.0°
.XX = ±0.15mm	.XX° = ±2.0°
.XXX = ±0.10mm	.XXX° = ±1.0°

AB	1	13.11.23	33217
NAME	ISS.	DATE	CN/CO
APPROVED: R.PORTLOCK			
CHECKED: A.YEOMANS			
DRAWN: A.BOXALL			
ASSEMBLY DRG:			

NOTES:

- SEE COMPONENT SPECIFICATION C057XX (LATEST ISSUE) FOR COMPLETE CONNECTOR SPECIFICATIONS.
- PART SHOWN IS F11-11106042R, SEE ORDER CODE FOR POSSIBLE CONFIGURATIONS.
- SEE SHEET 4 FOR TAPE & REEL DETAILS.

**HARWIN**

www.harwin.com

TOLERANCES  
X. = ±1mm  
X.X = ±0.50mm  
X.XX = ±0.20mm  
X.XXX = ±0.01mm  
ANGLES = ±5°  
UNLESS STATED

THIS DRAWING AND ANY INFORMATION OR DESCRIPTIVE MATTER SET OUT HEREON ARE CONFIDENTIAL AND COPYRIGHT PROPERTY OF THE HARWIN GROUP AND MUST NOT BE DISCLOSED, LOANED, COPIED OR USED FOR MANUFACTURING, TENDERING OR FOR ANY OTHER PURPOSE WITHOUT THEIR WRITTEN PERMISSION.

MATERIAL:

SEE NOTE 1

TITLE:  
0.5mm PITCH FEMALE HORIZONTAL FLECTO CONNECTOR SIGNAL+POWER CONTACTS

DRAWING NUMBER:

F11-111XXX42R

SHT  
3 OF 4

# Customer Information Sheet

IF IN DOUBT - ASK

©

NOT TO SCALE

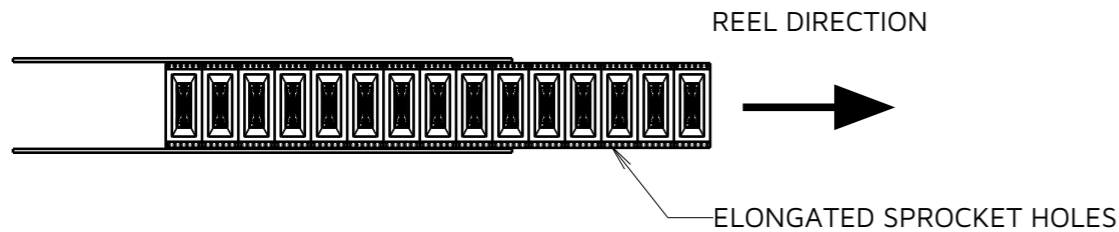
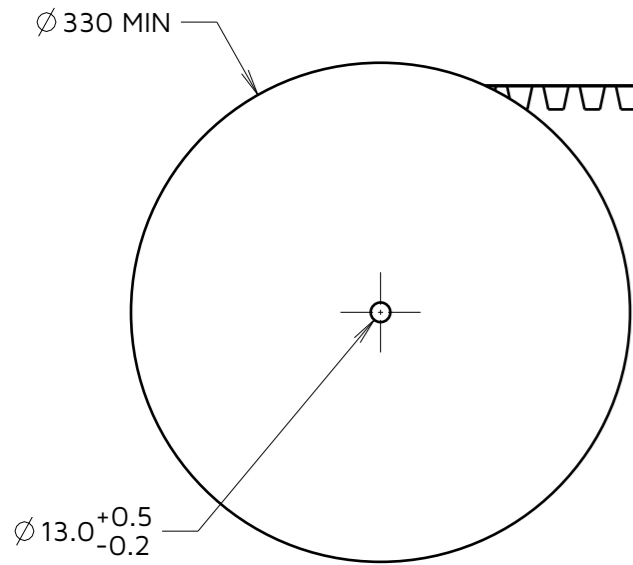
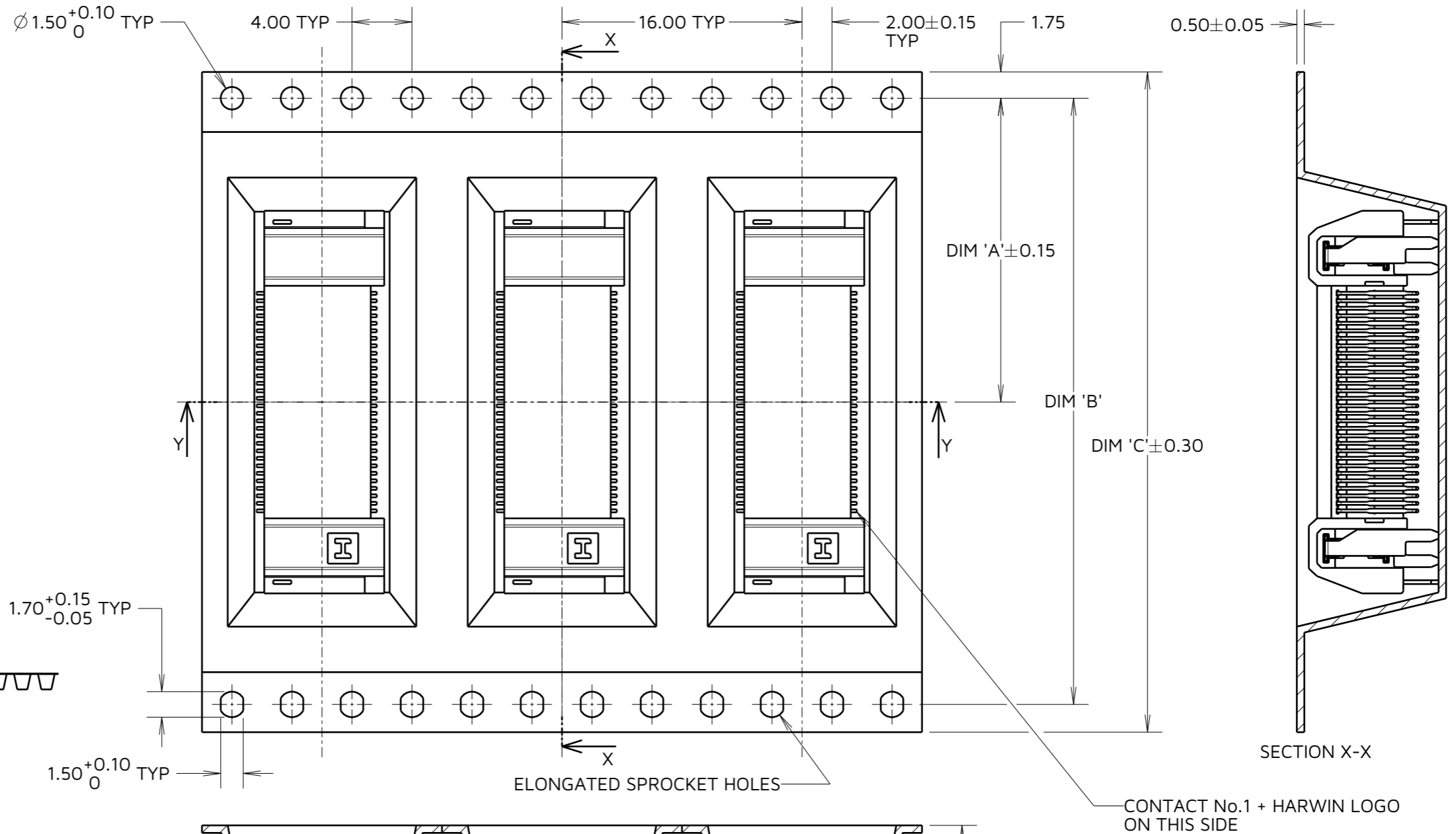
THIRD ANGLE PROJECTION

ALL DIMENSIONS IN mm

ORDER CODE:

**F11-111XXX42R**

No. OF CONTACTS:  
020, 040, 060, 080, 100, 120



No. OF CONTACTS	DIM 'A'	DIM 'B'	DIM 'C'
20	14.20	28.40	32.00
40	20.20	40.40	44.00
60	26.20	52.40	56.00
80	32.20	64.40	68.00
100	38.20	76.40	80.00
120	44.20	88.40	92.00

AB	1	13.11.23	33217
NAME	ISS.	DATE	CN/CO
APPROVED: R.PORTLOCK			
CHECKED: A.YEOMANS			
DRAWN: A.BOXALL			
ASSEMBLY DRG:			

- NOTES:
- PRODUCT TAPE AND REELED IN ACCORDANCE WITH EIA-481 STANDARD.
  - CARRIER TAPE MATERIAL: BLACK POLYSTYRENE.
  - NUMBER OF COMPONENTS PER REEL: 400PCS
  - TAPE POCKETS MAY DIFFER VISUALLY FROM DRAWING.

**HARWIN**

www.harwin.com

TOLERANCES  
X. =  $\pm 1$ mm  
X.X =  $\pm 0.50$ mm  
X.XX =  $\pm 0.20$ mm  
X.XXX =  $\pm 0.01$ mm  
ANGLES =  $\pm 5^\circ$   
UNLESS STATED

THIS DRAWING AND ANY INFORMATION OR DESCRIPTIVE MATTER SET OUT HEREON ARE CONFIDENTIAL AND COPYRIGHT PROPERTY OF THE HARWIN GROUP AND MUST NOT BE DISCLOSED, LOANED, COPIED OR USED FOR MANUFACTURING, TENDERING OR FOR ANY OTHER PURPOSE WITHOUT THEIR WRITTEN PERMISSION.

MATERIAL:  
SEE NOTE 5

TITLE:  
0.5mm PITCH FEMALE HORIZONTAL FLECTO CONNECTOR SIGNAL+POWER CONTACTS

DRAWING NUMBER:  
**F11-111XXX42R**

SHT  
4 OF 4