

Customer Information Sheet

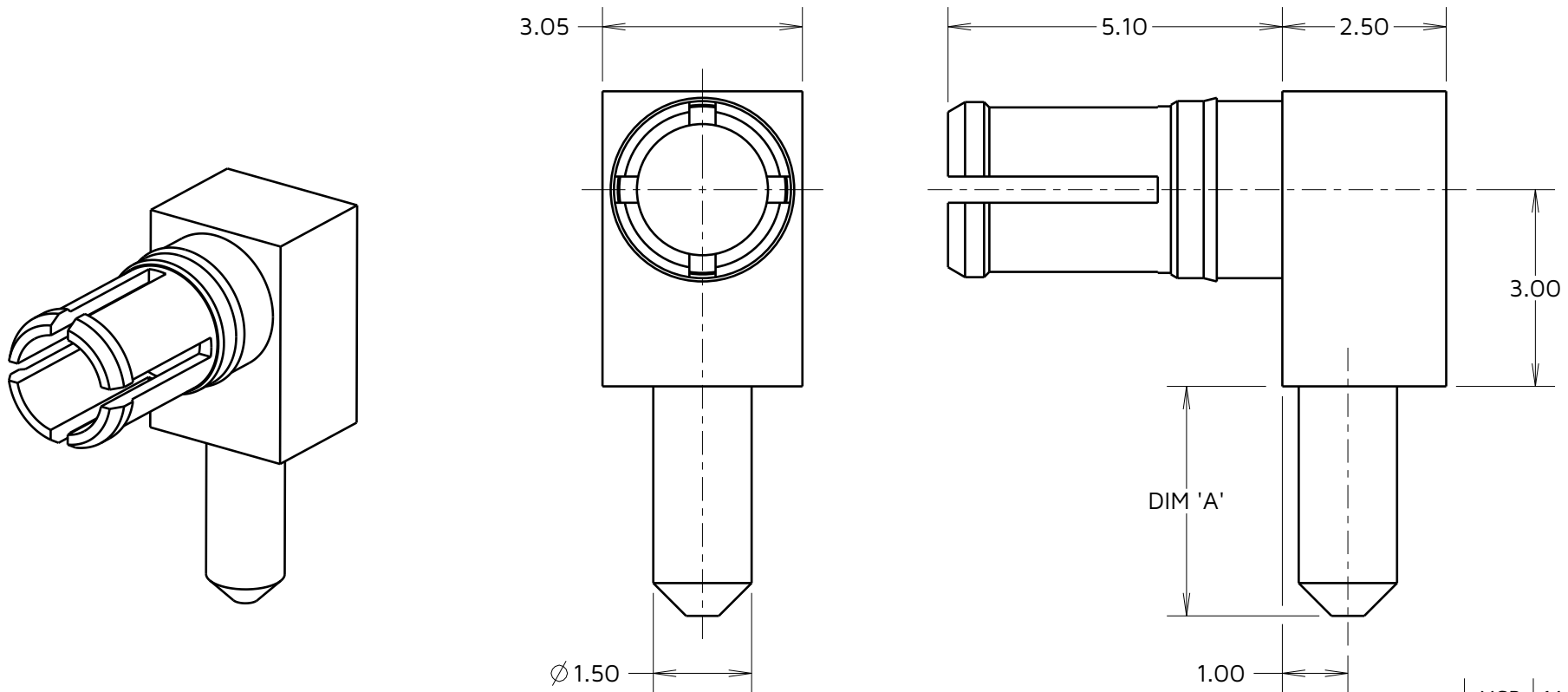
IF IN DOUBT - ASK

©

NOT TO SCALE

THIRD ANGLE PROJECTION

ALL DIMENSIONS IN mm



NOTES:

1. RECOMMENDED PCB HOLE SIZE = $\varnothing 1.65 \pm 0.05$ mm.
2. FOR ELECTRICAL/ MECHANICAL REQUIREMENTS, SEE COMPONENT SPECIFICATION CO05XX (LATEST ISSUE).

PART No.	DIM 'A'
M80-333	3.50
M80-334	5.00

MGP	14	20.07.23	32802
NAME	ISS.	DATE	CN/CO
APPROVED: MGP			
CHECKED: RTP			
DRAWN: W.J.BOURNE			
ASSEMBLY DRG:			
PART WEIGHT:		MAT'L USAGE:	

HARWIN

www.harwin.com

TOLERANCES

X. = ± 1 mm
 X.X = ± 0.50 mm
 X.XX = ± 0.20 mm
 X.XXX = ± 0.01 mm

ANGLES = $\pm 5^\circ$
 UNLESS STATED

THIS DRAWING AND ANY INFORMATION OR DESCRIPTIVE MATTER SET OUT HEREON ARE CONFIDENTIAL AND COPYRIGHT PROPERTY OF THE HARWIN GROUP AND MUST NOT BE DISCLOSED, LOANED, COPIED OR USED FOR MANUFACTURING, TENDERING OR FOR ANY OTHER PURPOSE WITHOUT THEIR WRITTEN PERMISSION.

MATERIAL:

COPPER ALLOY

FINISH: GOLD

S/AREA: mm²

TITLE:

DATAMATE MIX-TEK
 POWER CONTACT
 MALE HORIZONTAL PC-TAIL

DRAWING NUMBER:

M80-333 TO M80-334

SHT
 2
 OF 2